



G U A R D I A N T E L E C O M

Product and Services Guide

Page Station Module Replacements — Page/Talk, Page/Party^{®†} & Third-Party

When it's time to replace your current Page/Talk, Page/Party^{®†} or other Third-Party paging system components, Guardian addresses your needs with cost-effective solutions by offering page station replacement modules.

Direct compatibility of Guardian Page/Talk PTA Amplifier Replacement modules & PTR Handset Amplifier Replacement modules and Page/Party^{®†} PPA Amplifier Replacement modules & PPR Handset Amplifier Replacement modules allows

end users to protect their original paging system investment by replacing failed or aged units on the fly without even having to power down the entire communication system.

In addition to PPA & PPR replacement modules, complete Guardian Page/Talk stations can be implemented into your current expanding Third-Party systems offering continued usage while benefiting from Guardian Telecom's Page/Talk station features and quality.

Guardian
Telecom

CONNECTED. PROTECTED.

PSG-8.2.3D



ISO 9001:2008 Certification
Today's Quality Creates Our Future

www.guardiantelecom.com

SECTION

17

†GAI-Tronics® and Page/Party® are registered Trademarks of GAI-Tronics® Corporation. Any reference to GAI-Tronics® does not imply their endorsement of Guardian Telecom products.



Visit industrial sites around the world and you can find telephones and communication systems designed, manufactured, distributed and commissioned by Guardian Telecom. From certified and ruggedized telephone and paging endpoints, to loudspeakers & ringers, cable, accessories, acoustic booths and much more. Our product line is extensive and our knowledge in-depth.

Guardian manufactures and assembles at our modern, ISO certified, CSA, UL and ATEX approved facility located east of the Canadian Rockies in Calgary, Alberta, Canada.

Working closely with our customers has always been a cornerstone in our work ethic. It keeps us up to date on their evolving needs and requirements as they operate in a demanding and uncompromising industrial world.

Guardian Telecom has completed its initial VoIP telephone product launch. As the IP world continues to evolve and grow, we will continue to invest both time and resources in design and testing to meet the stringent requirements that clients demand.

The in-house channel-partner sales and technical teams are here to work directly with you or through our network of distributors and representatives, locally, nationally and globally. Take advantage of their practical experience and product knowledge to make informed decisions based on your communication needs, environmental factors, regulatory requirements, budget considerations, growth and scheduling.

From individual telephone units to complete systems, our focus on customers' distinct needs is also addressed by customizing products whenever practical. From features to colors, finishes to labels, graphics, parts, enclosures and more.

Guardian can help guide you through the product selection process no matter how complex it is. We invite you to contact us to discuss your needs and see if our products & services will be the right fit.



Toll free (North America) 1 800 363-8010 Tel 403 258-3100 Fax 403 253-4967 E-mail info@guardiantelecom.com

Guardian Telecom's Product and Services Guide Catalogue is a compilation of individual Category Sections. They include an in-depth selection of Product Data Sheets from our extensive product lines including Analog and VoIP Telephones, Page/Talk, Cable, Talk/Back, PA/GA equipment, Acoustic Booths, Loudspeakers & Ringers and Accessories at the date of publication.

Based on a policy of continuous improvement, Guardian is constantly evaluating and redesigning existing models, adding new features and introducing new products to the benefit of our customers. Additional information can be found on our website at www.guardiantelecom.com.

Page Station Module Replacements

When its time to replace current Page System components, Guardian addresses the need with a cost-effective solution by offering replacement page station modules.

Page/Party^{®†} & Third-Party Replacement Modules



Amplifier Replacement – PPA

17-1

Amplifier Replacement Modules for GAI-Tronic[®] Page/Party^{®†} and other Third-Party models.

- P5512 Amplifier Module, Ambient Noise Sensor on Faceplate, 16 Pin Connector Harness
- P5513 Amplifier Module, 16 Pin Connector Harness
- P5514 Amplifier Module, Ambient Noise Sensor on Faceplate, 24 Pin Connector Harness
- P5515 Amplifier Module, Ambient Noise Sensor on Faceplate, 24 Pin Connector Harness, Handset Reed Switch Kit
- P5516 Amplifier Module, 24 Pin Desk Connector Harness
- P5517 Amplifier Module, 24 Pin Desk Connector Harness, Handset Reed Switch Kit



Handset Amplifier Replacement – PPR

17-1

Amplifier Handset Replacement Modules for Page/Party^{®†} and other Third-Party models.

- P5506 Amplifier Module, Ambient Noise Sensor on Faceplate
- P5507 Amplifier Module, Ambient Noise Sensor on Faceplate, Headset Receptacle
- P5508 Amplifier Module
- P5509 Amplifier Module, Ambient Noise Sensor Kit for Outdoor Enclosure
- P5510 Amplifier Module, Headset Receptacle
- P5511 Amplifier Module, Ambient Noise Sensor Kit for Outdoor Enclosure, Headset Receptacle

Page/Talk Replacement Modules



Amplifier Replacement – PTA

17-3

Amplifier Replacement Modules for Guardian Telecom Page/Talk models.

- P5504 Amplifier module with Ambient Noise Sensor on faceplate
- P5505 Amplifier module



Handset Amplifier Replacement – PTR

17-3

Amplifier Handset Replacement Modules for Guardian Telecom Page/Talk models.

- P5500 Amplifier module with Ambient Noise Sensor on faceplate
- P5501 Amplifier module with Ambient Noise Sensor on faceplate and Headset Receptacle
- P5502 Amplifier module
- P5503 Amplifier module with Headset Receptacle on faceplate

[†]GAI-Tronics[®] and Page/Party[®] are registered Trademarks of GAI-Tronics[®] Corporation. Any reference to GAI-Tronics[®] does not imply their endorsement of Guardian Telecom products.

Replacement Modules for Third-Party Page Stations

PPA – Amplifier Replacement

PPR – Handset Amplifier Replacement



PPA

PPA with Ambient Noise Sensor on Faceplate

PPR with Ambient Noise Sensor on Faceplate

PPR with Adapter Harness

Guardian Telecom's PPA Amplifier Replacement Modules and PPR Handset Amplifier Replacement Modules are designed to deliver a safe, reliable, and cost effective solution for industries that require additions, repairs or replacements to their existing third-party paging and communication systems.

"A Value Added Alternative for Maintaining Existing Communication Systems"

FEATURES and BENEFITS

PPA & PPR Modules

- One common model compatible with both single or multi-line third-party page stations
- Power supply 24 VDC or 24/120/230 VAC
- Corrosion protected and powder coated faceplate
- Captive screws for ease of installation
- 16 or 24 pin adapter harness
- Ambient noise sensor, monitors and adjusts speaker volume automatically (models P5512, P5514 & P5515)

PPR Modules with Handset

- Push-to-Page button on handset
- Noise canceling microphone
- Magnetic hook switch provides maximum durability
- Ambient noise sensor kit for outdoor enclosure (models P5009 & P5011)
- Ease of installation with 16 or 24 pin AMPHENOL connector kit
- Off-hook status LED indicator

CONTROLS

PPA & PPR Modules

- Speaker volume output (adjustable from front panel)
- Ambient noise level sensor (optional)

PPR Modules with Handset

- Microphone gain
- Receiver level adjustment
- Side tone adjustment

APPLICATIONS

Guardian Telecom's PPA and PPR Replacement Modules are uniquely designed for easy, seamless, retrofitting into existing third-party page stations and other unitized audio systems.

INSTALLATION and CONNECTABILITY

Guardian's Amplifier Replacement Module allows for easy installation into third-party page stations, available in 16 pin or 24 pin Amphenol Connector configurations.

ACCESSORIES and Options

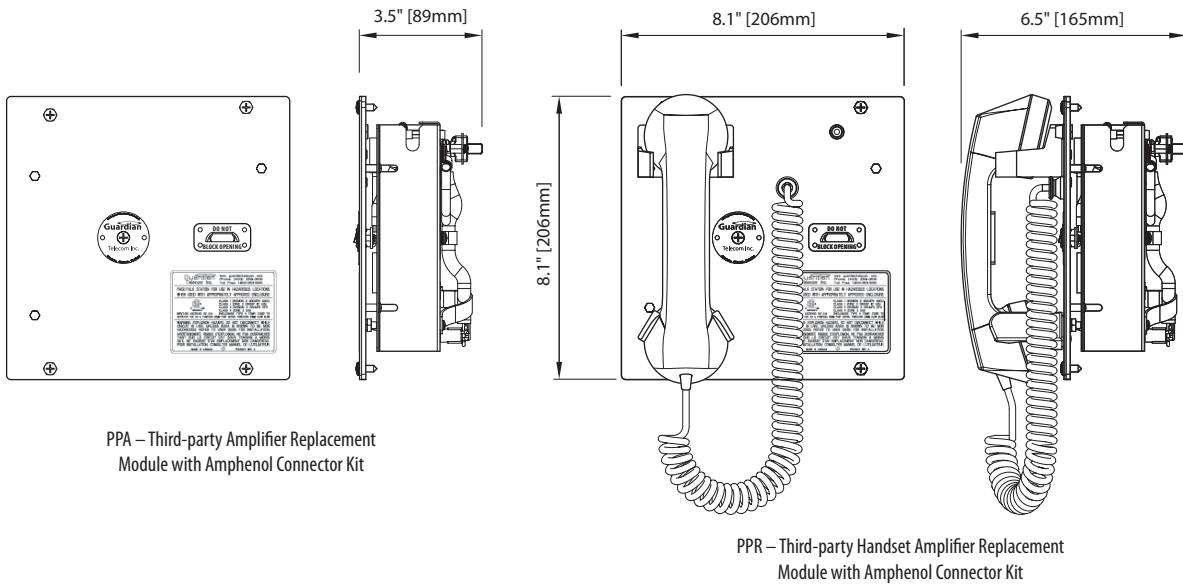
- Push-to-page Headset for PPR (models P5507, P5010 & P5011)

**Guardian
Telecom**



ISO-9001:2008 Certification
Today's Quality Creates Our Future

OVERALL DIMENSIONS



PPA – Third-party Amplifier Replacement Module with Amphenol Connector Kit

PPR – Third-party Handset Amplifier Replacement Module with Amphenol Connector Kit

PPA Third-party Page Station Amplifier Replacement Module • PPR Third-party Page Station Handset Amplifier Replacement Module

ENGINEERING SPECIFICATIONS

ELECTRICAL REQUIREMENTS

Input Voltage	20-29 VDC	20-26 VAC	90-140 VAC	200-260 VAC
Power Cycle	n/a	50/60 Hz	50/60 Hz	50/60 Hz
Fuse	1 Amp	1 Amp	0.5 Amp	0.25 Amp

AMPLIFIER

Amplifier Maximum Output Power	12 Watts RMS
Amplifier Gain	50 dB
Frequency Response	250 - 4000 Hz
Distortion	1.0% Maximum THD @ 1000 Hz
Input Impedance	200 K Ohms Nominal

MECHANICAL SPECIFICATIONS

Body Construction	Thermoplastic Resin
Faceplate	Corrosion Protected & Powder Coated
Net Weight	14.5 lbs (6.6 kg)
Shipping Weight	16.5 lbs (7.5 kg)
Shipping Dimensions (L x W x D)	12.0" x 12.0" x 12.0" (305 x 305 x 305 mm)
Standard Mounting	Vertical Wall
Hand Set Construction	High Impact ABS
Connection to System	Conduit or Cable Gland

ENVIRONMENTAL

Water/Dust Tight Enclosure	Type 4X & IP66
Temperature	-40° to +140°F (-40° to +60°C)
Humidity	0 - 95% RH Non-Condensing

CSA COMPLIANCE (Canada and United States)

Class 4818 02 – Signal Appliances – Audible – For Hazardous Locations
 Class 4818 82 – Signal Appliances – Audible – For Hazardous Locations
 Certified to US Standards

Canada: Class I, Division 2, Groups A, B, C and D; Class II Groups E, F and G; T6
 United States: Class I, Division 2, Groups A, B, C and D; Class II Groups E, F and G; Class I Zone 2, T6

ORDERING INFORMATION

Warranty: One year parts and labor

PPA – Third Party Page Station Amplifier Replacement Modules¹

Order No.	Description	Ambient Noise Sensor on Faceplate	Reed Switch Kit	Desk Connector Harness	16 PIN Harness	24 PIN Harness
P5512		●			●	
P5513					●	
P5514		●				●
P5515		●	●			●
P5516				●		●
P5517			●	●		●

¹Modules include Adapter Harness

PPR – Third Party Page Station Handset Amplifier Replacement Modules²

Order No.	Description	Ambient Noise Sensor on Faceplate	Ambient Noise Sensor Kit For Outdoor Enclosure	Headset Receptacle ³
P5506		●		
P5507		●		●
P5508				
P5509			●	
P5510				●
P5511			●	●

²Modules include Adapter Harness – specify 16 or 24 PIN AMPHENOL Connector

³Not for use in Hazardous Areas

WHEN PLACING AN ORDER SPECIFY

• Power Supply 24 VDC or 24/120/230 VAC

Accessories – PPR

P5540 Push to Page Headset for PPR (models P5507, P5010 & P5011)

Distributed by:

**Guardian
Telecom**



ISO-9001:2008 Certification
Today's Quality Creates Our Future

Calgary, Alberta, Canada 1-800-363-8010 (North America)
 Tel: 403 258-3100 Fax: 403 253-4967 info@guardiantelecom.com www.guardiantelecom.com

Replacement Modules for Guardian Telecom Page/Talk Stations

PTA - Amplifier Replacement

PTR - Handset Amplifier Replacement



PTA

PTA with Ambient Noise Sensor on Faceplate



PTR with Ambient Noise Sensor on Faceplate

Guardian Telecom's PTA Amplifier Replacement Modules and PTR Handset Amplifier Replacement Modules are designed to deliver a safe, reliable, and cost effective solution for industries that require additions, repairs or replacements to their existing Page/Talk paging and communication systems.

"A Value Added Alternative for Maintaining Existing Communication Systems"

FEATURES and BENEFITS

PTA & PTR Modules

- One common model compatible with both single or multi-line Guardian Page/Talk Stations
- Power supply 24 VDC or 24/120/230 VAC
- Corrosion resistant and powder coated faceplate
- Captive screws for ease of installation
- Ambient noise sensor – monitors and adjusts speaker volume automatically (PTA model – P5504)

PTR Modules with Handset

- Push-to-Page button on handset
- Noise canceling microphone
- Magnetic hook switch provides maximum durability
- Off hook status LED indicator
- Ambient noise sensor monitors and adjusts speaker volume automatically (PTR models – P5500 & P5501)

CONTROLS

PTA & PTR Modules

- Speaker volume output (adjustable from front panel)
- Ambient noise level sensor (optional)

PTR Modules with Handset

- Microphone gain
- Receiver level adjustment
- Side tone adjustment

APPLICATIONS

Guardian Telecom's PTA and PTR Replacement Modules are uniquely designed for cost-effective, easy and seamless retrofitting into existing Guardian Page/Talk and other unitized audio systems.

INSTALLATION and CONNECTABILITY

Guardian's Amplifier Replacement Module allows for easy installation into Guardian Page/Talk enclosures.

ACCESSORIES and OPTIONS

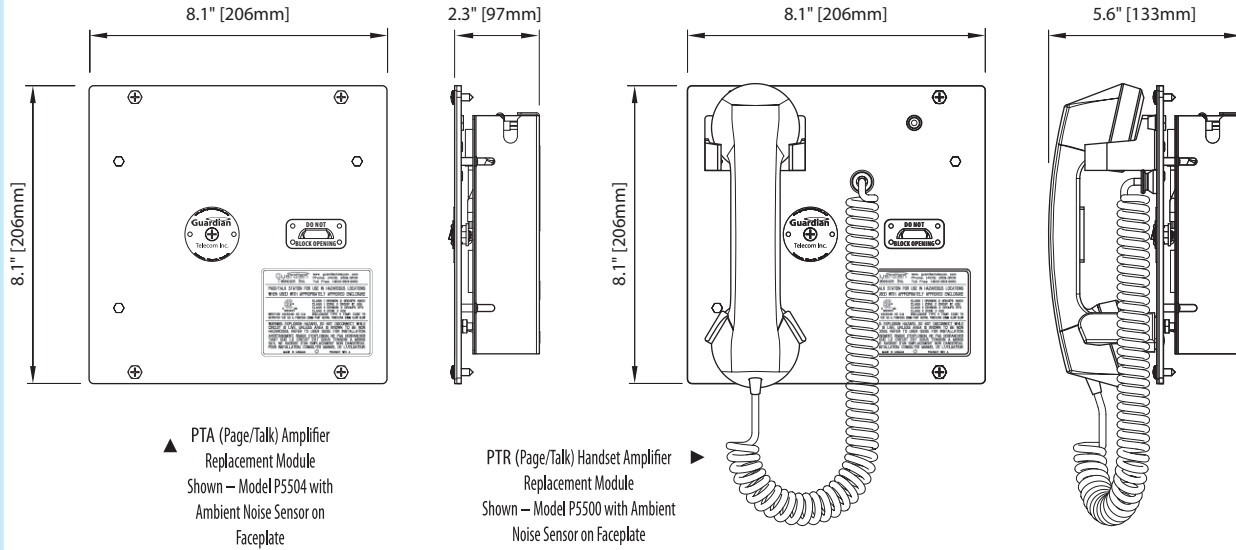
- Headset with 20' Curly Cord for select PTR models

Guardian Telecom



ISO-9001:2008 Certification
Today's Quality Creates Our Future

OVERALL DIMENSIONS



PTA (Page/Talk) Amplifier Replacement Module • PTR (Page/Talk) Handset Amplifier Replacement Module

ENGINEERING SPECIFICATIONS

ELECTRICAL REQUIREMENTS

Input Voltage	20-29 VDC	20-26 VAC	90-140 VAC	200-260 VAC
Power Cycle	n/a	50/60 Hz	50/60 Hz	50/60 Hz
Fuse	1 Amp	1 Amp	0.5 Amp	0.25 Amp

AMPLIFIER REPLACEMENT

Maximum Output Power	12 Watts RMS
Frequency Response	250 - 4000 Hz

MECHANICAL SPECIFICATIONS

Faceplate	Corrosion Protected & Powder Coated
Net Weight	PTA 4.5 lbs (2.0 kg) PTR 5.5 lbs (2.5 kg)
Shipping Weight	PTA 6.0 lbs (2.8 kg) PTR 7.0 lbs (3.2 kg)
Shipping Dimensions (L x W x D)	12.0" x 12.0" x 12.0" (305 x 305 x 305 mm)
Mounting	Vertical Wall
PTR Handset Material	High Impact ABS

ENVIRONMENTAL

Temperature	-40° to +140°F (-40° to +60°C)
Humidity	0 - 95% RH Non-Condensing

CSA COMPLIANCE (Canada and United States)

Class 4818 02	– Signal Appliances – Audible – For Hazardous Locations
Class 4818 82	– Signal Appliances – Audible – For Hazardous Locations Certified to US Standards
Canada:	Class I, Division 2, Groups A, B, C and D; T6
United States:	Class I, Division 2, Groups A, B, C and D; Class I Zone 2, T6

ORDERING INFORMATION

Warranty: One year parts and labor

PTA – Guardian Telecom Page/Talk Amplifier Replacement Modules

Order No.	Description
	Amplifier Module Ambient Noise Sensor on Faceplate
P5504	● ●
P5505	● ●

WHEN PLACING AN ORDER SPECIFY

- Power Supply 24 VDC or 24/120/230 VAC

PTR – Guardian Telecom Page/Talk Handset Replacement Modules

Order No.	Description
	Ambient Noise Sensor on Faceplate Headset Connector Receptacle*
P5500	● ●
P5501	● ●
P5502	● ●
P5503	● ●

* Not approved for hazardous areas.

WHEN PLACING AN ORDER SPECIFY

- Power Supply 24 VDC or 24/120/230 VAC

Accessories for PTR P5501 & P5503

P5540 Headset with 20' Curly Cord

Distributed by:

Sections

Guardian Telecom's Product and Services Guide Catalogue is a compilation of individual Category Section Publications

Guardian

1

▶ About Guardian Telecom

- Building on a Legacy of Design and Service
- Communications: Easy, Reliable and Safe
- More Choices, Selections and Services
- Standard Features
- Options & Accessories
- Product and Project Consultation
- Commissioning Services
- Sound Studies
- Training
- Maintenance, Cleaning, Trouble Shooting & Refurbishment
- Custom Design
- Page/Talk, Telephone, PA/GA and Talk/Back Systems
- Standards and Classifications

▶ Knowledge Base

▶ Glossary

Products

Analog Telephones





Explosion Proof		2
ATEX-IEC		3
Hazardous Area		4
Outdoor Industrial		5
Indoor Industrial		6
Emergency/Help Point		7
Correctional		8

VoIP Telephones

Hazardous Area VoIP		9
Outdoor Industrial VoIP		10
Indoor Industrial VoIP		11
Emergency/Help Point VoIP		12

¹ Page/Party® is a registered trademark of GAI-Tronics Inc. Use does not imply endorsement.

Page/Talk

Explosion Proof		13
Stations		14
System Cable		15
System Components		16

Page Station Module Replacements

Page/Party® Module Replacements ¹		17
Page/Talk Module Replacements		17

Talk/Back

Explosion Proof Amplifier		18
Multi-Channel Amplifiers		18

PA/GA

System Components		19
-------------------	---	----

Acoustic Booths

Aluminum & GRP		20
----------------	---	----

Loudspeakers/Ringers

Explosion Proof		21
Hazardous Area		22
ATEX-IEC		23
General Area		24



Guardian represents DNH, E2S, Federal Signal, MEDC and TOA, and has access to an extensive range of other world class leading manufacturers. Visit www.guardiantelecom.com for additional information on Explosion Proof, Hazardous Area, ATEX-IEC and General Area Loudspeakers & Ringers.

Accessories & Enclosures

Telephone Accessories & Enclosures		25
Page/Talk Accessories		26

Product Index

Part No., Description, Product Section & Product Data Sheet	27
---	----



Guardian Telecom

CONNECTED. PROTECTED.

Calgary, Alberta, Canada
Telephone: 403 258-3100 Facsimile: 403 253-4967
1-800-363-8010 (North America)
info@guardiantelecom.com

Canada USA Middle East

All content including the "Guardian Telecom" logo, images, graphics and descriptions are not to be used without the expressed written authorization of Guardian Telecom Inc., Calgary, Alberta, Canada. All other names and logos are the trademarks or registered trademarks of their respective companies.

Guardian pursues a policy of continuous improvement, therefore product, content and specifications are subject to change without notice. Design, specifications and release dates are subject to change without notice.