



G U A R D I A N T E L E C O M

Product and Services Guide

Outdoor Industrial VoIP Telephones

The Guardian Telecom family of rugged Outdoor Industrial VoIP Telephones are designed to meet a variety of customer requirements under adverse conditions but don't require certification and the higher associated costs.

Outdoor Industrial VoIP telephones can also be used in demanding indoor environments.

Guardian Telecom has combined the benefits of VoIP with the outstanding quality of our industrial telephony products. With Guardian's Voice over Internet Protocol telephones all that is required is a simple network connection.

SIP connectivity expands Guardian VoIP reach into demanding and rugged environments with seamless integration into your existing or new VoIP infrastructure.

Guardian VoIP products are Power-over-Ethernet compliant (PoE) or can be powered using an optional power supply.

Guardian
Telecom

CONNECTED. PROTECTED.



Visit industrial sites around the world and you can find telephones and communication systems designed, manufactured, distributed and commissioned by Guardian Telecom. From certified and ruggedized telephone and paging endpoints, to loudspeakers & ringers, cable, accessories, acoustic booths and much more. Our product line is extensive and our knowledge in-depth.

Guardian manufactures and assembles at our modern, ISO certified, CSA, UL and ATEX approved facility located east of the Canadian Rockies in Calgary, Alberta, Canada.

Working closely with our customers has always been a cornerstone in our work ethic. It keeps us up to date on their evolving needs and requirements as they operate in a demanding and uncompromising industrial world.

Guardian Telecom has completed its initial VoIP telephone product launch. As the IP world continues to evolve and grow, we will continue to invest both time and resources in design and testing to meet the stringent requirements that clients demand.

The in-house channel-partner sales and technical teams are here to work directly with you or through our network of distributors and representatives, locally, nationally and globally. Take advantage of their practical experience and product knowledge to make informed decisions based on your communication needs, environmental factors, regulatory requirements, budget considerations, growth and scheduling.

From individual telephone units to complete systems, our focus on customers' distinct needs is also addressed by customizing products whenever practical. From features to colors, finishes to labels, graphics, parts, enclosures and more.

Guardian can help guide you through the product selection process no matter how complex it is. We invite you to contact us to discuss your needs and see if our products & services will be the right fit.



Toll free (North America) 1 800 363-8010 Tel 403 258-3100 Fax 403 253-4967 E-mail info@guardiantelecom.com

Guardian Telecom's Product and Services Guide Catalogue is a compilation of individual Category Sections. They include an in-depth selection of Product Data Sheets from our extensive product lines including Analog and VoIP Telephones, Page/Talk, Cable, Talk/Back, PA/GA equipment, Acoustic Booths, Loudspeakers & Ringers and Accessories at the date of publication.

Based on a policy of continuous improvement, Guardian is constantly evaluating and redesigning existing models, adding new features and introducing new products to the benefit of our customers. Additional information can be found on our website at www.guardiantelecom.com.

Outdoor Industrial VoIP Telephones

Used in both exterior and interior environments where the elements can be severe.

Desktop / Wallmount — DTT-V & DTR-V

These non-hazardous rated IP versions of Guardian's ATEX-IEC Telephones & Ringdown Telephones have a Type 4X, IP66 weather rating without being housed in a separate enclosure and can also be used indoors as well as outdoors. All versions can be wall mounted or used as a desk telephone.



Telephones — DTT-V

- DTT-50-V Telephone, Curly Handset Cord
- DTT-60-V Telephone, Armored Handset Cord

10-1

Ringdown Telephones — DTR-V

Lifting the handset connects the phone to a pre-programmed number.

- DTR-51-V Ringdown Telephone, Curly Handset Cord
- DTR-61-V Ringdown Telephone, Armored Handset Cord

10-3

Weather Resistant — WRT-V & WRR-V

Guardian Telecom's SIP-enabled WRT-V Series of Weather Resistant Telephones & WRR-V Ringdown Telephones are engineered to deliver reliable, high quality communications in moderately harsh environments, where standard telephones are not suitable.



Telephones — WRT-V

- WRT-10-V Telesel Keypad, Volume Control Handset, Curly Handset Cord
- WRT-30-V Metal Keypad, Volume Control Handset, Curly Handset Cord
- WRT-40-V Metal Keypad, Volume Control Handset, Armored Handset Cord

10-5



Ringdown Telephones — WRR-V

Lift the handset and the autodialer routes the call to its assigned location.

- WRR-10-V Volume Control Handset, Curly Handset Cord
- WRR-41-V Volume Control Handset, Armored Handset Cord, Mounting Plate

10-7

Watertight — WTT-V & WTR-V

Guardian's Watertight SIP enabled WTT-V VoIP Telephones & WTR-V Ringdown Telephones offer maximum efficiency under extreme environmental conditions.



Telephones — WTT-V

- WTT-30-V Watertight Telephone, Metal Keypad, Curly Handset Cord
- WTT-40-V Watertight Telephone, Metal Keypad, Armored Handset Cord

10-9



Ringdown Telephones — WTR-V

Lift the handset and the autodialer routes the call to its assigned location.

- WTR-10-V Watertight Ringdown Telephone, Curly Handset Cord
- WTR-41-V Watertight Ringdown Telephone, Armored Handset Cord

10-9

Outdoor Industrial VoIP Telephones continued ...

Cast Aluminum — ACT-V & ACR-V

Guardian's SIP enabled ACT-V Telephones & ACR-V Ringdown Telephones meet the demanding requirements of sites that are prone to abuse and inclement weather. Housed in a locking or non-locking cast aluminum enclosure, these telephones resist moisture, dust and corrosive chemicals.



Telephone — ACT-V

- ACT-30-V Metal Keypad, 6' (1.8m) Curly Handset Cord
- ACT-40-V Metal Keypad, 18" (0.45m) Armored Handset Cord

10-11



Ringdown Telephone — ACR-V

Picking up an ACR-V Ringdown handset calls a pre-programmed number.

- ACR-10-V Ringdown Telephone, 6' (1.8m) Curly Handset Cord
- ACR-41-V Ringdown Telephone, 18" (0.45m) Armored Handset Cord

10-13

DTT-V Series Industrial Desk/Wall IP Telephones

DTT-50-V
– configured for
wallmount



DTT-50-V
– configured
for desktop



Guardian Telecom DTT-V telephones provide safe, reliable communication in industrial areas that are prone to moderately harmful environments, where consumer phones are not suitable.

All DTT-V IP telephone models feature a urethane coated watertight silicon keypad and are compatible with most SIP-based IP-PBX servers that comply with SIP RFC 3261.

See our Interoperability Guide for details.

**Guardian
Telecom**



ISO-9001:2008 Certification
Today's Quality Creates Our Future

FEATURES and BENEFITS

- PoE 802.3af enabled (Power-over-Ethernet) or alternate power source
- Compatible with most SIP-based IP-PBX servers that comply with SIP RFC 3261
- Network web management
- Guardian Discovery Utility makes it easy to detect, locate and launch the web based configuration screens
- Product self diagnostic testing available through web interface
- Network adjustable earpiece volume and microphone sensitivity
- Network downloadable firmware
- Remote programming – allows you to manage your network from a central location
- High impact thermoset resin industrial housing and ergonomic heavy duty handset – IP-66 compliant
- Back-lit LCD display – 2 line x 16 character: English, French or Spanish
- Reversible base for desktop or wall mount configurations
- Audio modes – handset and hands-free speaker phone or optional headsets. Note: when the optional headset is used the speaker phone feature is not available
- Corrosion resistant hardware
- Noise canceling microphone
- Magnetic reed hook switch to reduce parts subject to wear
- Service temperature range from -22° to +140°F (-30° to +60°C)
- Removable handset retainer latches on cradle
- Large urethane coated watertight silicon keypad
- Autodial, memory, mute and menu configuration keys
- Programmable auto hang-up timer
- Hearing-aid compatible (HAC) receiver
- Heavy duty curly handset cord on DTT-50-V or vandal resistant armored handset cord on DTT-60-V models
- Built in auxiliary relay to switch up to 0.5A @ 30VDC
- Two M20 and one M12 gland entries
- Field repairable by authorized personnel

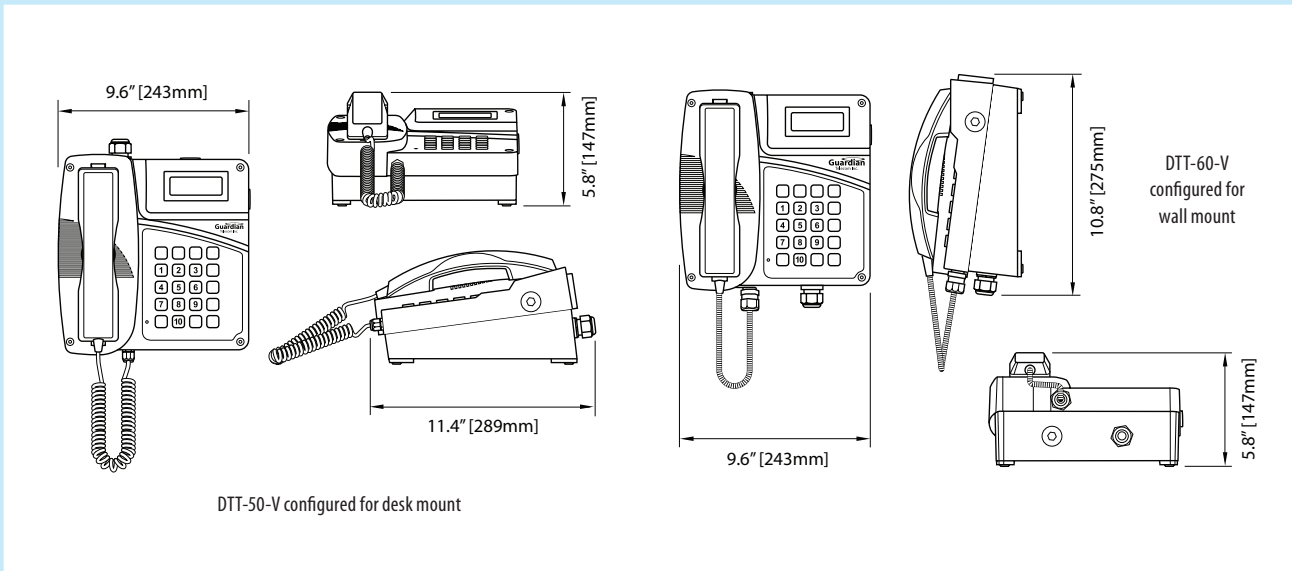
APPLICATIONS

- Refineries
- Power Generation Facilities
- Pulp and Paper Mills
- Food Processing Plants
- Chemical Plants
- Material Sites
- Cement Plants
- Sewage Plants
- Drilling Rigs
- Hydroelectric Facilities
- Warehouses
- Mines
- Greenhouses
and more ...

ACCESSORIES and OPTIONS

- 20' (6.1m) Curly Cord – for DTT-50-V
- Headset¹
- Custom colors available²

OVERALL DIMENSIONS



DTT-V Series Industrial Desk/Wall IP Telephones

ENGINEERING SPECIFICATIONS

ELECTRICAL PERFORMANCE

Network Rate 10/100 Mbps
Protocol SIP (RFC 3261 Compliant)

ELECTRICAL REQUIREMENTS

Power Requirements 802.3 af Compliant
12-24V @ 1A
Auxiliary Relay 0.5A @ 30VDC

MECHANICAL SPECIFICATIONS

Hook Switch (Cradle Switch) Life >1 000 000 Operations
Housing Material High Impact Thermoset Resin Compound
Handset Material High Impact Thermoset Resin Compound
Net Weight 8.68 lbs (3.95 kg)
Shipping Weight 10.7 lbs (4.9 kg)
Shipping Dimensions (L x W x D) 16.0" x 10.5" x 9.5" (407 x 267 x 242 mm)
Mounting Desk or Wall
Microphone Noise Canceling
Receiver Hearing Aid Compatible (HAC)
Hardware Material Stainless Steel
Wiring Access 2 x M20 & 1 x M12 Cable Gland Entry Points

ENVIRONMENTAL

Corrosion Resistant & Dustproof
Operating Temperature Full Gasket Faceplate
-22" to +140°F (-30" to +60°C)
Ingress Protection Rating IP66
Humidity 0 to 95% RH

COMPLIANCE

FCC Part 15¹, Class A
ICES-003 CLASS A
IC CISPR 22: 2008
IEC 61000-6-2: 2005



¹ This device complies with Part 15 of the FCC Rules. Operation is subject to the following two conditions: (1) This device may not cause harmful interference, and (2) this device must accept any interference received, including interference that may cause undesired operation.

ORDERING INFORMATION

Warranty: One year parts and labor

Order No.	Description
P3040	DTT-50-V Telephone/Curly Handset Cord
P3041	DTT-60-V Telephone/Armored Handset Cord
Options	
20C-DTR	20ft (6.1m) Curly Handset Cord
¹ Headset	Contact a Guardian Telecom sales representative for details.
² Custom Colors	Custom colors are available. Minimum quantities or premiums may apply. For details on custom options, contact a Guardian Telecom sales representative.

Distributed by:

DTR-V Series

Industrial Desk/Wall

IP Ringdown Telephones

DTR-61-V
– configured for
wallmount



DTR-51-V
– configured
for desktop



FEATURES and BENEFITS

- PoE 802.3af enabled (Power-over-Ethernet) or alternate power source
- Compatible with most SIP-based IP-PBX servers that comply with SIP RFC 3261
- Network web management
- Guardian Discovery Utility makes it easy to detect, locate and launch the web based configuration screens
- Product self diagnostic testing available through web interface
- Network adjustable earpiece volume and microphone sensitivity
- Network downloadable firmware
- Remote programming – allows you to manage your network from a central location
- High impact thermoset resin industrial housing and ergonomic heavy duty handset – IP-66 compliant
- Reversible base for desktop or wall mount configurations
- Corrosion resistant hardware
- Noise canceling microphone
- Magnetic reed hook switch to reduce parts subject to wear
- Service temperature range from -22° to +140°F (-30° to +60°C)
- Removable handset retainer latches on cradle
- Hearing-aid compatible (HAC) receiver
- Heavy duty curly handset cord on DTR-51-V or vandal resistant armored handset cord on DTR-61-V models
- Built in auxiliary relay to switch up to 0.5A @ 30VDC
- Two M20 and one M12 gland entries

APPLICATIONS

- Refineries
- Power Generation Facilities
- Pulp and Paper Mills
- Food Processing Plants
- Chemical Plants
- Material Sites
- Cement Plants
- Sewage Plants
- Drilling Rigs
- Hydroelectric Facilities
- Warehouses
- Mines
- Greenhouses
- and more . . .

ACCESSORIES and OPTIONS

- Conformal coated circuitry – protects components from humidity damage
- 20' (6.1m) Curly Cord
- Headset¹
- Custom colors available²

Guardian Telecom DTR-V Ringdown Telephones provide safe, reliable communication in industrial areas that are prone to moderately harmful environments, where consumer phones are not suitable.

Lift a DTR-V Ringdown Telephone handset and the autodialer routes the call to its assigned location.

DTR-V Ringdown Telephones are compatible with most SIP-based IP-PBX servers that comply with SIP RFC 3261.

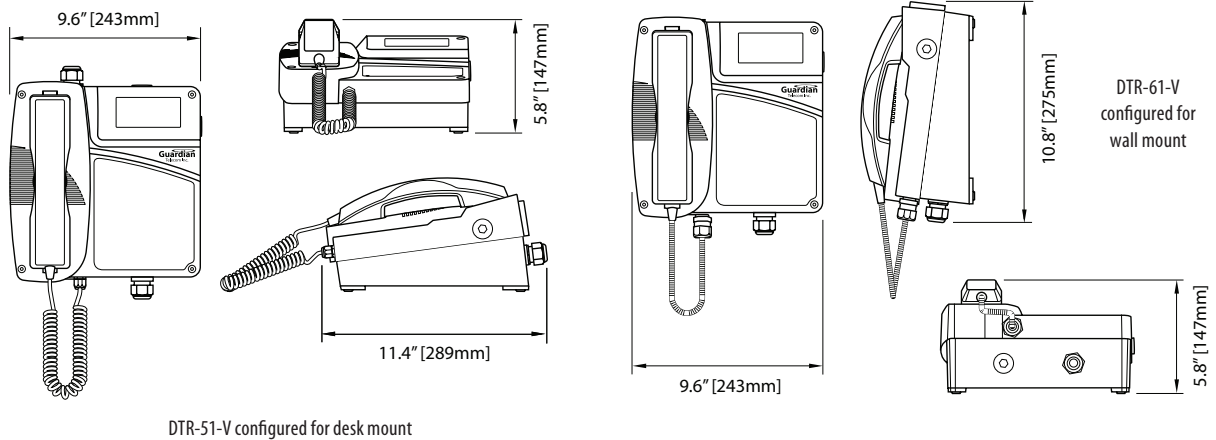
See our Interoperability Guide for details.

Guardian
Telecom



ISO-9001:2008 Certification
Today's Quality Creates Our Future

OVERALL DIMENSIONS



DTR-51-V configured for desk mount

DTR-V Series Industrial Desk/Wall IP Ringdown Telephones

ENGINEERING SPECIFICATIONS

ELECTRICAL PERFORMANCE

Network Rate 10/100 Mbps
Protocol SIP (RFC 3261 Compliant)

ELECTRICAL REQUIREMENTS

Power Requirements 802.3 af Compliant
12-24V @ 1A
Auxiliary Relay 0.5A @ 30VDC

MECHANICAL SPECIFICATIONS

Hook Switch (Cradle Switch) Life >1 000 000 Operations
Housing Material High Impact Thermoset Resin Compound
Handset Material High Impact Thermoset Resin Compound
Net Weight 8.68 lbs (3.95 kg)
Shipping Weight 10.7 lbs (4.9 kg)
Shipping Dimensions (L x W x D) 16.0" x 10.5" x 9.5" (407 x 267 x 242 mm)
Mounting Desk or Wall
Microphone Noise Canceling
Receiver Hearing Aid Compatible (HAC)
Hardware Material Stainless Steel
Wiring Access 2 x M20 Cable Gland Entry Points

ENVIRONMENTAL

Corrosion Resistant & Dustproof Full Gasket Faceplate
Operating Temperature -22" to +140°F (-30" to +60°C)
Ingress Protection Rating IP66
Humidity 0 to 95% RH

COMPLIANCE

FCC Part 15¹, Class A
ICES-003 CLASS A
IC CISPR 22: 2008
IEC 61000-6-2: 2005



¹This device complies with Part 15 of the FCC Rules. Operation is subject to the following two conditions: (1) This device may not cause harmful interference, and (2) this device must accept any interference received, including interference that may cause undesired operation.

ORDERING INFORMATION

Warranty: One year parts and labor

Order No.	Description
P3042	DTR-51-V Ringdown Telephone/Curly Handset Cord
P3043	DTR-61-V Ringdown Telephone/Armored Handset Cord

Options

20C-DTR	20ft (6.1m) Curly Handset Cord
¹ Headset	Contact a Guardian Telecom sales representative for details.
² Custom Colors	Custom colors are available. Minimum quantities or premiums may apply. For details on custom options, contact a Guardian Telecom sales representative.

Distributed by:

WRT-V Series

Weather Resistant IP Telephones



FEATURES and BENEFITS

- "Full" duplex voice operation
- PoE 802.3af enabled (Power-over-Ethernet) or alternate power source
- Compatible with most SIP-based IP-PBX servers that comply with SIP (RFC 3261). (Refer to the Guardian VoIP web page for a list of certified servers)
- Network web management interface
- Guardian Discovery Utility makes it easy to detect, locate and launch the web based configuration screens
- Product self diagnostic testing available through web interface
- Network adjustable speaker volume and microphone sensitivity
- Network downloadable firmware
- Remote programming – allows you to manage your network from a central location
- Steel powder coated faceplate to eliminate corrosion
- Heavy duty G type industrial volume control handset
- Rust and corrosion resistant stainless steel hardware
- Electret noise reducing microphone
- Electronic ringer for reliability
- WRT-10-V – Waterproof Telesal Keypad and Curly Cord
- WRT-30-V – Weather and Dust Proof Metal Keypad and Curly Cord
- WRT-40-V – Weather and Dust Proof Metal Keypad and Armored Cord
- Service temperature range -22° to +140°F (-30° to +60°C)
- Weather, dust & corrosion resistant for any industrial application
- Magnetic reed hook switch to reduce parts subject to wear
- Modular parts for easy service
- Hearing aid compatible

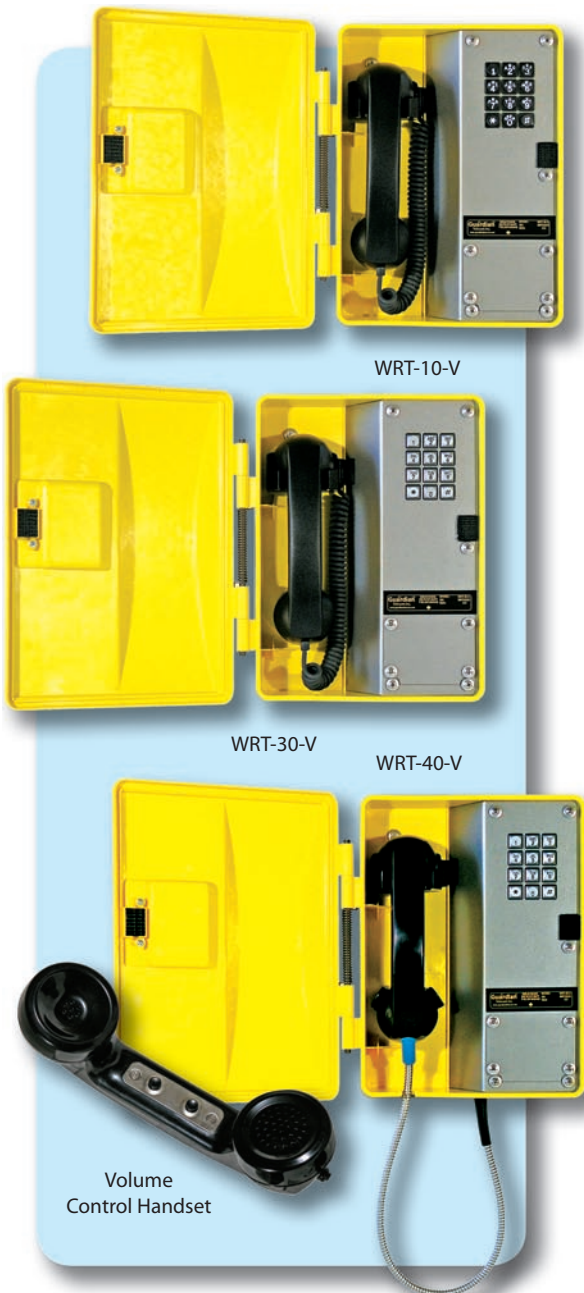
APPLICATIONS

These telephones are designed to provide reliable communications in environments subject to moisture, dust and corrosive chemicals such as:

- Transit Authorities
- Amusement Parks
- Cement Plants
- Universities
- Sewage Plants
- Greenhouses
- Swimming Pools
- Parking Garages
- Plant Entry Gates
- Pulp & Paper Mills
- Construction Sites
- Food Processing Facilities
- Ships
- Mines
- Airports
- Docksides
- Warehouses
- and more ...

ACCESSORIES and OPTIONS

- 20VC – 20' (6m) curly cord, volume control handset for WRT-10-V & WRT-30-V models
- NC – Noise canceling microphone
- RC-WRT – Retainer clips – must be ordered with WRT-10-V & WRT-30-V (standard on WRT-40-V)
- MP – Mounting plate



Guardian Telecom's SIP-enabled WRT-V Series of Weather Resistant Telephones are engineered to deliver reliable, high quality communications in moderately harsh environments, where standard telephones are not suitable. Designed for use in industrial applications and ideal for noisy areas.

WRT-V Telephones are compatible with most SIP-based IP-PBX servers that comply with SIP RFC 3261.

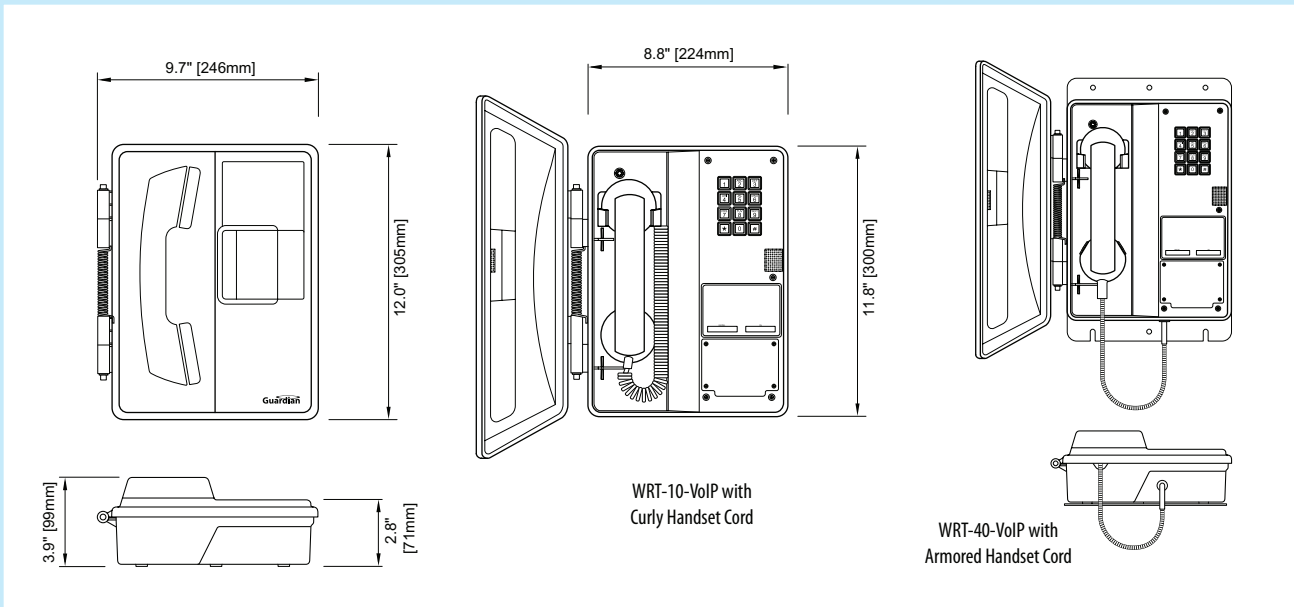
See our Interoperability Guide for details.

**Guardian
Telecom**



ISO-9001:2008 Certification
Today's Quality Creates Our Future

OVERALL DIMENSIONS



WRT-V Series Weather Resistant IP Telephones

ENGINEERING SPECIFICATIONS

ELECTRICAL PERFORMANCE

Network Rate
Protocol

10/100 Mbps
SIP (RFC 3261 Compliant)

ELECTRICAL REQUIREMENTS

Power Requirements

802.3 af Compliant
12-24V @ 1A
0.5A @ 30VDC

Auxiliary Relay

MECHANICAL SPECIFICATIONS

Hook Switch (Cradle Switch) Life
Body Construction
Faceplate
Net Weight
Shipping Weight
Shipping Dimensions (H x W x D)
Hand Set Construction
Mounting
Microphone
Receiver
Hardware Material

>1 000 000 Operations
16 Ga CRS Steel
Corrosion Protected & Powder Coated
7.0 lbs (3.2 kg)
8.0 lbs (3.7 kg)
15.0" x 5.0" x 11.5" (381 x 127 x 293 mm)
High Impact ABS
Vertical Wall
Noise Reducing Electret
Hearing Aid Compatible
Stainless Steel

ENVIRONMENTAL

Weather Proof Enclosure
Temperature
Humidity
Corrosion Resistant

Type 3R
-22° to +140°F (-30° to +60°C)
0 - 95% RH Non-Condensing
Full Gasket Faceplate

COMPLIANCE

FCC
IC

Part 15[†], Class A
ICES-003 CLASS A
CISPR 22: 2008
61000-6-2: 2005

IEC



[†] This device complies with Part 15 of the FCC Rules. Operation is subject to the following two conditions: (1) This device may not cause harmful interference, and (2) this device must accept any interference received, including interference that may cause undesired operation.

ORDERING INFORMATION

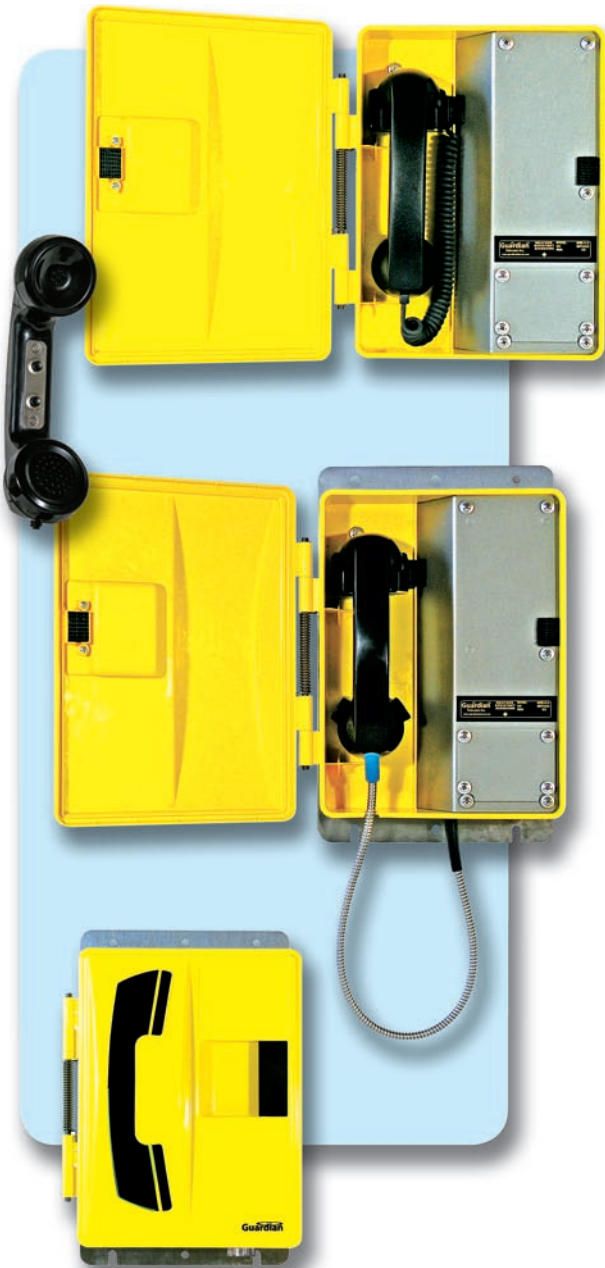
Warranty: One year parts and labor

Order No.	Description
P6300	WRT-10-V Teleseal Keypad/ Volume Control Handset/Curly Cord
P6302	WRT-30-V Metal Keypad/Volume Control Handset/Curly Cord
P6303	WRT-40-V Metal Keypad/Volume Control Handset/Armored Cord

Options	Description
20VC	20' (6.1m) Curly Cord, Volume Control Handset for WRT-10-V & WRT-30-V
36AVC	36" (.9m) Armored Handset Cord For WRT-40-V
72AVC	72" (1.8m) Armored Handset Cord For WRT-40-V
NC	Noise Canceling Microphone
RC-WRT/WRR	Retainer Clips – must be ordered with WRT-10-V & WRT-30-V (standard on WRT-40-V)
MP	Mounting Plate
GRV	Grey Enclosure
RED	Red Enclosure

Distributed by:

WRR-V Series Weather Resistant IP Ringdown Telephones



FEATURES and BENEFITS

- "Full" duplex voice operation
- PoE 802.3af enabled (Power-over-Ethernet) or alternate power source
- Compatible with most SIP-based IP-PBX servers that comply with SIP (RFC 3261). (Refer to the Guardian VoIP web page for a list of certified servers)
- Network web management interface
- Guardian Discovery Utility makes it easy to detect, locate and launch the web based configuration screens
- Product self diagnostic testing available through web interface
- Network adjustable speaker volume and microphone sensitivity
- Network downloadable firmware
- Remote programming – allows you to manage your network from a central location
- Heavy duty G type industrial volume control handset
- Rust and corrosion resistant stainless steel hardware
- Electret noise reducing microphone
- Electronic ringer for reliability
- Temperature range -22° to +140°F (-30° to +60°C)
- Weather, dust & corrosion resistant for any industrial application
- Magnetic reed hook switch to reduce parts subject to wear
- Modular parts for easy service
- Hearing aid compatible

APPLICATIONS

WRR-V Weather Resistant IP Ringdown Telephones are designed to provide reliable communications in environments subject to moisture, dust and corrosive chemicals such as:

- Transit Authorities
- Amusement Parks
- Cement Plants
- Universities
- Sewage Plants
- Greenhouses
- Swimming Pools
- Parking Garages
- Plant Entry Gates
- Pulp & Paper Mills
- Construction Sites
- Food Processing Facilities
- Ships
- Mines
- Airports
- Docksides
- Warehouses
- and more ...

ACCESSORIES and OPTIONS

- 20VC – 20' (6m) curly cord, volume control handset for WRR-11-V
- NC – Noise canceling microphone
- RC-WRT/WRR – Retainer clips – must be ordered with WRR-11-V (standard on WRR-41-V)
- MP – Mounting plate

Designed for rough-service areas with limited, special communication needs, WRR-V Series Weather Resistant IP Ringdown Telephones assure high quality communications under extreme working conditions. Lift the handset and the autodialer routes the call to its assigned location.

WRR-V Ringdown Telephones are compatible with most SIP-based IP-PBX servers that comply with SIP RFC 3261.

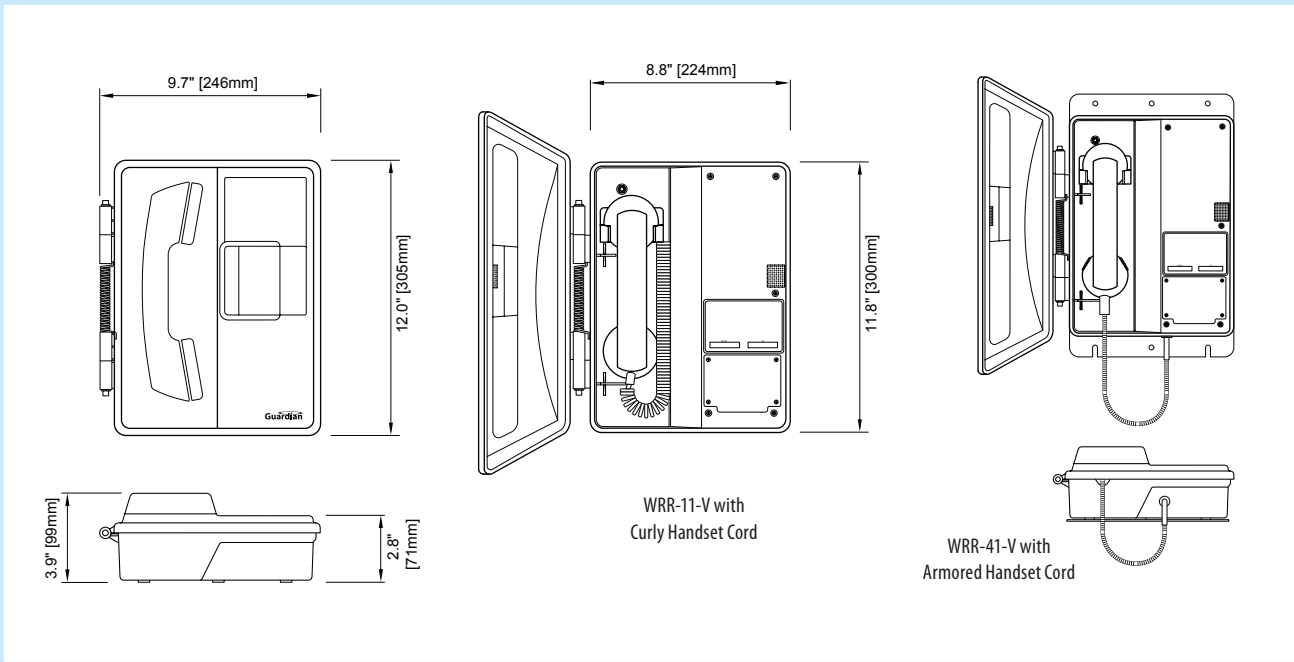
See our Interoperability Guide for details.

**Guardian
Telecom**



ISO-9001:2008 Certification
Today's Quality Creates Our Future

OVERALL DIMENSIONS



WRR-V Series Weather Resistant IP Ringdown Telephones

ENGINEERING SPECIFICATIONS

ELECTRICAL PERFORMANCE

Network Rate	10/100 Mbps
Protocol	SIP (RFC 3261 Compliant)

ELECTRICAL REQUIREMENTS

Power Requirements	802.3 af Compliant
Auxiliary Relay	12-24V @ 1A 0.5A @ 30VDC

MECHANICAL SPECIFICATIONS

Hook Switch (Cradle Switch) Life	>1 000 000 Operations
Body Construction	GE Valox 357° Engineering Polymer
Faceplate	Corrosion Protected & Powder Coated
Net Weight (including mounting plate)	7.5 lbs (3.4 kg)
Shipping Weight (including mounting plate)	8.0 lbs (3.7 kg)
Shipping Dimensions (H x W x D)	15.0" x 5.0" x 11.5" (381 x 127 x 293 mm)
Hand Set Construction	High Impact ABS
Mounting	Vertical Wall
Wiring Access	7/8" (22.2mm) Opening for Owner Supplied Fitting
Microphone	Noise Reducing Electret
Receiver	Hearing Aid Compatible
Hardware Material	Stainless Steel

ENVIRONMENTAL

Weather Proof Enclosure	Type 3R
Temperature	-22° to +140°F (-30° to +60°C)
Humidity	0 - 95% RH Non-Condensing
Corrosion Resistant	Full Gasket Faceplate

COMPLIANCE

FCC	Part 15 ¹ , Class A
IC	ICES-003 CLASS A
IEC	CISPR 22: 2008
	61000-6-2: 2005



¹ This device complies with Part 15 of the FCC Rules. Operation is subject to the following two conditions: (1) This device may not cause harmful interference, and (2) this device must accept any interference received, including interference that may cause undesired operation.

ORDERING INFORMATION

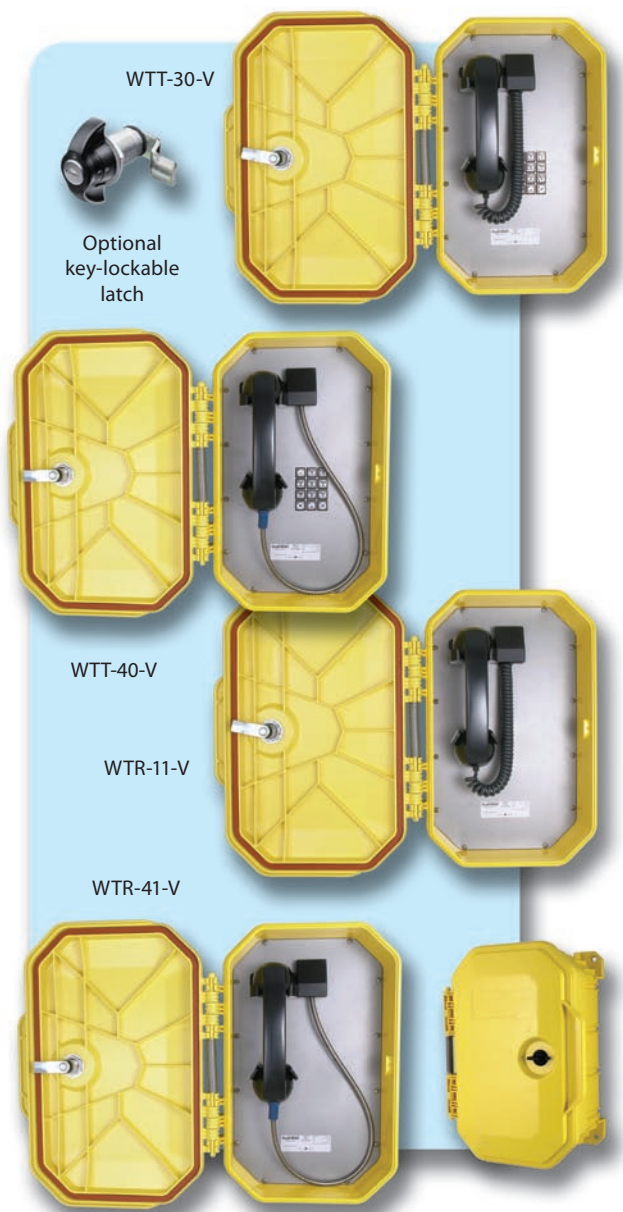
Warranty: One year parts and labor

Order No.	Description
P6304	WRR-11-V Volume Control Handset/Curly Cord
P6305	WRR-41-V Volume Control Handset with Armored Cord/Mounting Plate
<i>Options</i>	
20VC-WRT/WRR	20' (6.1m) Curly Cord for WRR-11-V
36AVC	36" (.9m) Armored Handset Cord for WRR-41-V
72AVC	72" (1.8m) Armored Handset Cord for WRR-41-V
CH	Conduit Hub
NC	Noise Canceling Microphone
RC-WRT/WRR	Retainer Clips — must be ordered with WRR-11-V (standard on WRR-41-V)
MP	Mounting Plate (Included with WRR-41-V)
GRV	Grey Enclosure
RED	Red Enclosure

Distributed by:

WTT-V Series Watertight IP Telephones

WTR-V Series Watertight Ringdown IP Telephones



FEATURES and BENEFITS

- "Full" duplex operation
- PoE 802.3af enabled (Power-over-Ethernet) or alternate power source
- Compatible with most SIP-based IP-PBX servers that comply with SIP (RFC 3261). (Refer to the Guardian VoIP web page for a list of certified servers)
- Network web management interface
- Guardian Discovery Utility makes it easy to detect, locate and launch the web based configuration screens
- Product self diagnostic testing available through web interface
- Network adjustable speaker volume and microphone sensitivity
- Network downloadable firmware
- Remote programming – allows you to manage your network from a central location
- Corrosion protected and powder coated steel, full gasket faceplate
- WTT-V models have metal keypads for extended life
- Vandal resistant armored handset cord with lanyard on WTT-40-V & WTR-41-V models
- Heavy duty G Type industrial handset
- Integrated mounting feet
- Handset retainers to maintain on-hook status
- Spring loaded door
- Drill guides provided for top & bottom mount glands
- Electret noise reducing microphone for clear communication
- Temperature range -22° to +140°F (-30° to +60°C)
- Water/dust-tight thermoplastic resin enclosure, Type 4X & IP66
- Waterproof connections & stainless steel fittings for longer life
- Magnetic reed hook switch to reduce parts subject to wear
- Modular parts for easy service
- Hearing aid compatible & receiver volume adjustment

APPLICATIONS

Guardian's WTT-V & WTR-V telephones are the top of the line telephones for use in the most extreme conditions such as:

- All Outdoor Locations
- Pulp & Paper Mills
- Highway Call Boxes
- Public Access Areas
- Parking Structures
- Public Transit Sites
- Construction Sites
- Food Processing Plants
- Outdoor Sporting Facilities
- Correctional Facilities
- University Campuses
- Plant Entry Gates
- Greenhouses
- Sewage Plants
- Parks
- Tunnels
- Waterfronts and more ...

ACCESSORIES and OPTIONS

- Conformal coated circuitry – protects components from humidity damage
- Key-lockable latch
- Vandal resistant faceplate screws
- Dynamic Noise Canceling Microphone
- External ringer
- Visual Alerter
- Choice of enclosure colors*
- Custom embossed logo or smooth face for label*

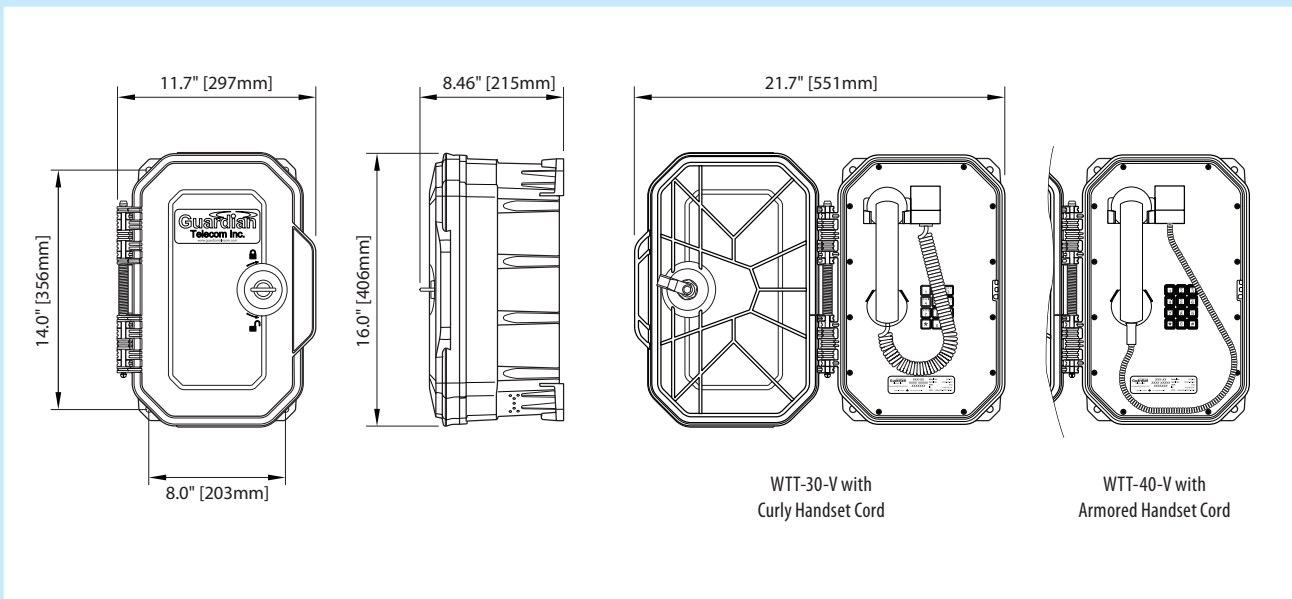
* minimum quantity required – consult with sales agent

Guardian's Watertight WTT-V & WTR-V SIP-enabled VoIP Telephones offer maximum efficiency under extreme environmental conditions. The sturdy thermoplastic resin enclosure protects the internal circuitry against wind blown dust, rain, corrosion, splashing and high pressure water. With Type 4X & IP66 ratings these are ideal telephones for harsh conditions.

WTT-V & WTR-V Telephones are compatible with most SIP-based IP-PBX servers that comply with SIP RFC 3261. See our Interoperability Guide for details.



OVERALL DIMENSIONS



WTT-V Series Watertight VoIP Telephones • WTR-V Series Watertight VoIP Ringdown Telephones

ENGINEERING SPECIFICATIONS

ELECTRICAL PERFORMANCE

Network Rate Protocol 10/100 Mbps SIP (RFC 3261 Compliant)

ELECTRICAL REQUIREMENTS

Power Requirements 802.3 af Compliant 12-24V @ 1A
Auxiliary Relay 0.5A @ 30VDC

MECHANICAL SPECIFICATIONS

Hook Switch (Cradle Switch) Life >1 000 000 Operations
Body Construction Thermoplastic Resin
Faceplate Corrosion Protected & Powder Coated
Net Weight 11.8 lbs (5.4 kg)
Shipping Weight 14.0 lbs (6.3 kg)
Shipping Dimensions (L x W x D) 20.0" x 15.0" x 12.0" (508 x 381 x 305 mm)
Hand Set Construction High Impact ABS
Mounting Vertical Wall
Microphone Noise Reducing Electret
Receiver Hearing Aid Compatible
Hardware Material Stainless Steel
Connection Fittings Up to 4 Drill Guides for Gland Support

ENVIRONMENTAL

Water/Dust Tight Enclosure Type 4X & IP66
Temperature -22° to +140° F (-30° to +60° C)

COMPLIANCE

FCC Part 15¹, Class A
IC ICES-003 CLASS A
IEC CISPR 22: 2008
61000-6-2: 2005



¹ This device complies with Part 15 of the FCC Rules. Operation is subject to the following two conditions: (1) This device may not cause harmful interference, and (2) this device must accept any interference received, including interference that may cause undesired operation.

ORDERING INFORMATION

Warranty: One year parts and labor

Order No.	Description
P5308	WTT-30-V Watertight Telephone/Metal Keypad/Curly Handset Cord
P5309	WTT-40-V Watertight Telephone/Metal Keypad/Armored Handset Cord
P5310	WTR-11-V Watertight Ringdown Telephone/Curly Handset Cord
P5311	WTR-41-V Watertight Ringdown Telephone/Armored Handset Cord

Options

CC Conformal Coated Circuit Board
NC Noise Canceling Microphone
LCK-WTE Locking Door
VR-WTE Vandal Resistant Faceplate Screws
Choice of enclosure colors*
Custom embossed logo or smooth face for label*
*minimum quantity required – consult with sales agent

Distributed by:

ACT-V Series

Cast Aluminum IP Telephones



FEATURES and BENEFITS

- "Full" duplex voice operation
- PoE 802.3af enabled (Power-over-Ethernet) or alternate power source
- Compatible with most SIP-based IP-PBX servers that comply with SIP (RFC 3261). (Refer to the Guardian VoIP web page for a list of certified servers)
- Network web management interface
- Guardian Discovery Utility makes it easy to detect, locate and launch the web based configuration screens
- Product self diagnostic testing available through web interface
- Network adjustable speaker volume and microphone sensitivity
- Network downloadable firmware
- Remote programming – allows you to manage your network from a central location
- Weather & dust proof metal keypad
- Speed-dial mode – up to 12 single keys
- Powder coated, die cast aluminum enclosures
- Temperature range -22° to +140°F (-30° to +60°C)
- Weather, dust & corrosion resistant for any industrial application
- Locking or non-locking door
 - Lock version limits access to authorized personnel only
 - Key is common to all locks
- Magnetic reed hook switch to reduce parts subject to wear
- Hinge turns on nylon bushings to avoid jamming caused by salt or corrosion
- Heavy duty G type industrial handset
- Modular parts for easy service
- Hearing aid compatible

APPLICATIONS

These telephones are designed to provide reliable communications in environments prone to abuse and inclement weather:

- Universities
- Mines
- Airports
- Warehouses
- Docksides
- Greenhouses
- Transit Authorities
- Swimming Pools
- Parking Garages
- Plant Entry Gates
- Pulp & Paper Mills
- Construction Sites
- Roadside Emergency Call Boxes
- Food Processing Facilities
- Cement Plants
- Sewage Plants
- and more ...

ACCESSORIES and OPTIONS

- Conformal coated circuitry – protects components from humidity damage
- Strobe Light
- PMK-ACE – Pole Mount Kit
- LD – Locking Door
- AC-YL – Yellow enclosure



Guardian Telecom's SIP-enabled ACT-30-V & ACT-40-V Cast Aluminum Telephones meet the demanding requirements of sites that are prone to abuse and inclement weather. Housed in a locking or non-locking aluminum enclosure, these telephones resist moisture, dust and corrosive chemicals. They are specially designed to provide reliable service in out-door environments.

ACT-V Telephones are compatible with most SIP-based IP-PBX servers that comply with SIP RFC 3261.

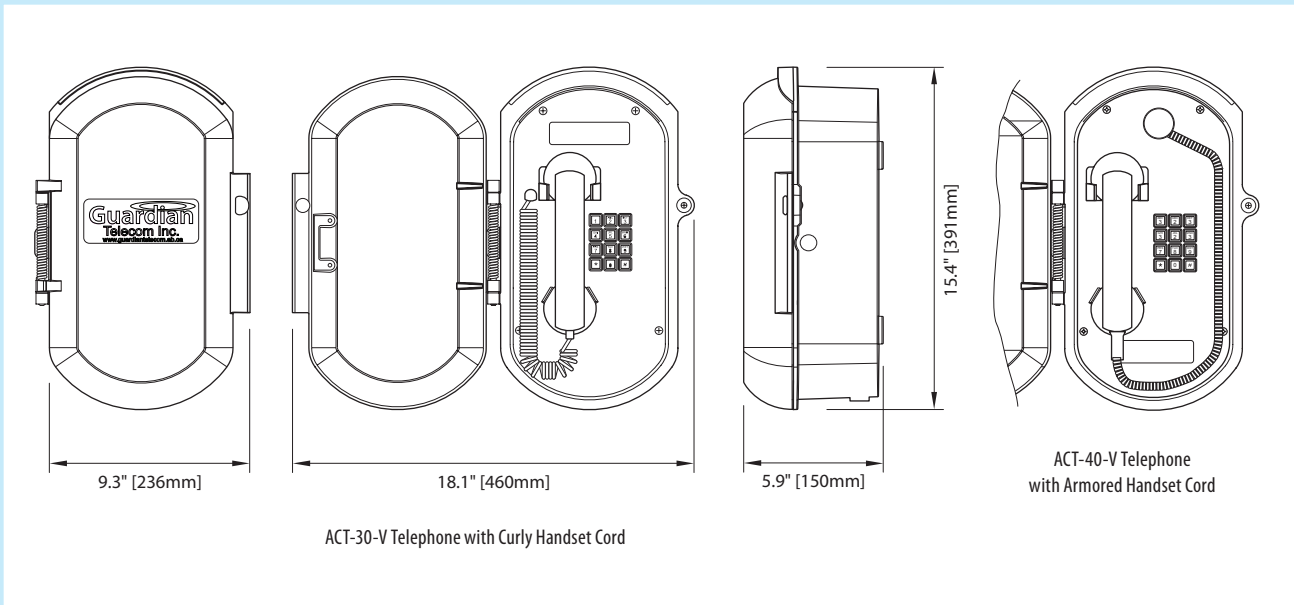
See our Interoperability Guide for details.

**Guardian
Telecom**



ISO-9001:2008 Certification
Today's Quality Creates Our Future

OVERALL DIMENSIONS



ACT-V Series Cast Aluminum IP Telephones

ENGINEERING SPECIFICATIONS

ELECTRICAL PERFORMANCE

Network Rate
Protocol

10/100 Mbps
SIP (RFC 3261 Compliant)

ELECTRICAL REQUIREMENTS

Power Requirements

802.3 af Compliant
12-24V @ 1A
0.5A @ 30VDC

Auxiliary Relay

0.5A @ 30VDC

MECHANICAL SPECIFICATIONS

Hook Switch (Cradle Switch) Life
Body Construction
Faceplate
Net Weight
Shipping Weight
Shipping Dimensions (L x W x D)
Hand Set Construction
Mounting
Microphone
Receiver
Hardware Material

>1 000 000 Operations
Cast Aluminum
Corrosion Protected & Powder Coated
12 lbs (5.5 kg)
13 lbs (5.9 kg)
16.0" x 10.5" x 9.5" (407 x 267 x 242 mm)
High Impact ABS
Vertical Wall
Noise Reducing Electret
Hearing Aid Compatible
Stainless Steel

ENVIRONMENTAL

Weather Proof Enclosure
Temperature
Humidity
Corrosion Resistant

Type 3R
-22° to +140°F (-30° to +60°C)
0 - 95% RH Non-Condensing
Full Gasket Faceplate

COMPLIANCE

FCC
IC

Part 15[†], Class A
ICES-003 CLASS A
CISPR 22: 2008
61000-6-2: 2005

IEC



[†] This device complies with Part 15 of the FCC Rules. Operation is subject to the following two conditions: (1) This device may not cause harmful interference, and (2) this device must accept any interference received, including interference that may cause undesired operation.

ORDERING INFORMATION

Warranty: One year parts and labor

Order No.	Description
P5432	ACT-30-V Metal Keypad/6' (1.8m) Curly Handset Cord
P5433	ACT-40-V Metal Keypad/18" (0.45m) Armored Handset Cord
Options	
CC	Conformal Coated Circuit Board
PMK-ACE	Pole Mount Kit for ACE-100 Enclosure
NC	Noise Canceling Microphone
LD	Locking Door
AC-YL	Yellow Enclosure

Distributed by:

ACR-V Series Cast Aluminum IP Ringdown Telephones



FEATURES and BENEFITS

- "Full" duplex voice operation
- PoE 802.3af enabled (Power-over-Ethernet) or alternate power source
- Compatible with most SIP-based IP-PBX servers that comply with SIP RFC 3261. (Refer to the Guardian VoIP web page for a list of certified servers)
- Network web management interface
- Guardian Discovery Utility makes it easy to detect, locate and launch the web based configuration screens
- Product self diagnostic testing available through web interface
- Network adjustable speaker volume and microphone sensitivity
- Network downloadable firmware
- Remote programming – allows you to manage your network from a central location
- Autodial on off hook
- Powder coated, die cast aluminum corrosion resistant enclosures
- Temperature range -22° to +140°F (-30° to +60°C)
- Weather, dust & corrosion resistant for any industrial application
- Locking or non-locking door
 - Lock version limits access to authorized personnel only
 - Key is common to all locks
- Spring loaded door and magnetic latch standard
- Magnetic reed hook switch to reduce parts subject to wear
- Hinge turns on nylon bushings to avoid jamming caused by salt or corrosion
- Heavy duty G type industrial handset
- Waterproof connections & stainless steel fittings for longer life
- Modular parts for easy service
- Hearing aid compatible
- Lift the handset and the autodialer routes the call to its assigned location.

APPLICATIONS

These telephones are designed to provide reliable communications in environments prone to abuse and inclement weather:

- Universities
- Mines
- Airports
- Warehouses
- Docksides
- Greenhouses
- Transit Authorities
- Swimming Pools
- Parking Garages
- Plant Entry Gates
- Pulp & Paper Mills
- Construction Sites
- Roadside Emergency Call Boxes
- Food Processing Facilities
- Cement Plants
- Sewage Plants
- and more ...

ACCESSORIES and OPTIONS

- Conformal coated circuitry – protects components from humidity damage
- PMK-ACE – Pole Mount Kit
- NC – Noise Canceling Microphone
- LD – Locking Door
- AC-YL – Yellow enclosure



Pole Mount Kit



ACR-11-V
– Ringdown Telephone
with Heavy Duty
Curly Handset Cord

ACR-41-V
– Ringdown Telephone
with Vandal Resistant
Armored Handset Cord

Guardian Telecom's SIP-enabled ACR-11-V & ACR-41-V Cast Aluminum Ringdown Telephones meet the demanding requirements of sites that are prone to abuse and inclement weather. Housed in a locking or non-locking aluminum enclosure, these telephones resist moisture, dust and corrosive chemicals. They are specially designed to provide reliable service in out-door environments.

ACR-V Telephones are compatible with most SIP-based IP-PBX servers that comply with SIP RFC 3261.

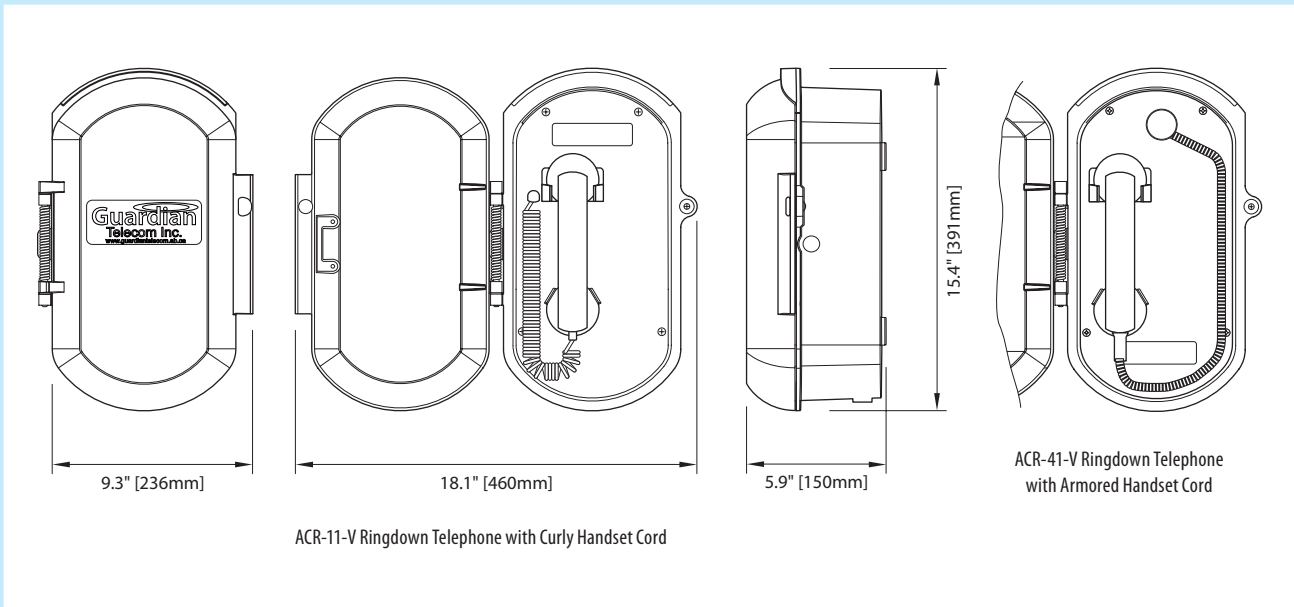
See our Interoperability Guide for details.

**Guardian
Telecom**



ISO-9001:2008 Certification
Today's Quality Creates Our Future

OVERALL DIMENSIONS



ACR-V Series Cast Aluminum IP Ringdown Telephones

ENGINEERING SPECIFICATIONS

ELECTRICAL PERFORMANCE

Network Rate 10/100 Mbps
Protocol SIP (RFC 3261 Compliant)

ELECTRICAL REQUIREMENTS

Power Requirements 802.3 af Compliant
12-24V @ 1A
Auxiliary Relay 0.5A @ 30VDC

MECHANICAL SPECIFICATIONS

Hook Switch (Cradle Switch) Life >1 000 000 Operations
Body Construction Cast Aluminum
Faceplate Corrosion Protected & Powder Coated
Net Weight 12 lbs (5.5 kg)
Shipping Weight 13 lbs (5.9 kg)
Shipping Dimensions (L x W x D) 16.0" x 10.5" x 9.5" (407 x 267 x 242 mm)
Hand Set Construction High Impact ABS
Mounting Vertical Wall
Microphone Noise Reducing Electret
Receiver Hearing Aid Compatible
Hardware Material Stainless Steel

ENVIRONMENTAL

Weather Proof Enclosure Type 3R
Temperature -22° to +140°F (-30° to +60°C)
Humidity 0 - 95% RH Non-Condensing
Corrosion Resistant Full Gasket Faceplate

COMPLIANCE

FCC Part 15[†], Class A
IC ICES-003 CLASS A
IEC CISPR 22: 2008
61000-6-2: 2005



[†] This device complies with Part 15 of the FCC Rules. Operation is subject to the following two conditions: (1) This device may not cause harmful interference, and (2) this device must accept any interference received, including interference that may cause undesired operation.

ORDERING INFORMATION

Warranty: One year parts and labor

Order No.	Description
P5434	ACR-11-V Ringdown Telephone/6' (1.8m) Curly Handset Cord
P5435	ACR-41-V Ringdown Telephone/18" (.45m) Armored Handset Cord

Options

CC	Conformal Coated Circuit Board
PMK-ACE	Pole Mount Kit for ACE-100 Enclosure
NC	Noise Canceling Microphone
LD	Locking Door
AC-YL	Yellow Enclosure
AD	Autodialer

Distributed by:

Sections

Guardian Telecom's Product and Services Guide Catalogue is a compilation of individual Category Section Publications

Guardian

1

▶ About Guardian Telecom

- Building on a Legacy of Design and Service
- Communications: Easy, Reliable and Safe
- More Choices, Selections and Services
- Standard Features
- Options & Accessories
- Product and Project Consultation
- Commissioning Services
- Sound Studies
- Training
- Maintenance, Cleaning, Trouble Shooting & Refurbishment
- Custom Design
- Page/Talk, Telephone, PA/GA and Talk/Back Systems
- Standards and Classifications

▶ Knowledge Base

▶ Glossary

Products

Analog Telephones





Explosion Proof		2
ATEX-IEC		3
Hazardous Area		4
Outdoor Industrial		5
Indoor Industrial		6
Emergency/Help Point		7
Correctional		8

VoIP Telephones

Hazardous Area VoIP		9
Outdoor Industrial VoIP		10
Indoor Industrial VoIP		11
Emergency/Help Point VoIP		12

¹ Page/Party® is a registered trademark of GAI-Tronics Inc. Use does not imply endorsement.

Page/Talk

Explosion Proof		13
Stations		14
System Cable		15
System Components		16

Page Station Module Replacements

Page/Party® Module Replacements ¹		17
Page/Talk Module Replacements		17

Talk/Back

Explosion Proof Amplifier		18
Multi-Channel Amplifiers		18
System Components		19

Acoustic Booths

Aluminum & GRP		20
----------------	---	----

Loudspeakers/Ringers

Explosion Proof		21
Hazardous Area		22
ATEX-IEC		23
General Area		24



Guardian represents DNH, E2S, Federal Signal, MEDC and TOA, and has access to an extensive range of other world class leading manufacturers. Visit www.guardiantelecom.com for additional information on Explosion Proof, Hazardous Area, ATEX-IEC and General Area Loudspeakers & Ringers.

Accessories & Enclosures

Telephone Accessories & Enclosures		25
Page/Talk Accessories		26

Product Index

Part No., Description, Product Section & Product Data Sheet	27
---	----



Guardian Telecom

CONNECTED. PROTECTED.

Calgary, Alberta, Canada
Telephone: 403 258-3100 Facsimile: 403 253-4967
1-800-363-8010 (North America)
info@guardiantelecom.com

Canada USA Middle East

All content including the "Guardian Telecom" logo, images, graphics and descriptions are not to be used without the expressed written authorization of Guardian Telecom Inc., Calgary, Alberta, Canada. All other names and logos are the trademarks or registered trademarks of their respective companies.

Guardian pursues a policy of continuous improvement, therefore product, content and specifications are subject to change without notice. Design, specifications and release dates are subject to change without notice.