



G U A R D I A N T E L E C O M

Product and Services Guide

Hazardous Area VoIP Telephones

Guardian's Hazardous Area IP telephones offer a full range of phone features and are designed for locations in which fire or explosion hazards may exist due to flammable gases or vapors, combustible dust, flammable liquids; or easily ignitable flyings or fibers.

Our Hazardous Area phones give you safety, quality, reliability, flexibility and capabilities all in one system – without compromise.

Guardian Telecom has combined the benefits of VoIP with the outstanding quality of our industrial telephony products. With Guardian's Voice over Internet Protocol telephones all that is required is a simple network connection.

SIP connectivity expands Guardian VoIP reach into demanding and rugged environments with seamless integration into your existing or new VoIP infrastructure.

Guardian VoIP products are Power-over-Ethernet compliant (PoE) or can be powered using an optional power supply.

Guardian
Telecom

CONNECTED. PROTECTED.

SECTION

9



Visit industrial sites around the world and you can find telephones and communication systems designed, manufactured, distributed and commissioned by Guardian Telecom. From certified and ruggedized telephone and paging endpoints, to loudspeakers & ringers, cable, accessories, acoustic booths and much more. Our product line is extensive and our knowledge in-depth.

Guardian manufactures and assembles at our modern, ISO certified, CSA, UL and ATEX approved facility located east of the Canadian Rockies in Calgary, Alberta, Canada.

Working closely with our customers has always been a cornerstone in our work ethic. It keeps us up to date on their evolving needs and requirements as they operate in a demanding and uncompromising industrial world.

Guardian Telecom has completed its initial VoIP telephone product launch. As the IP world continues to evolve and grow, we will continue to invest both time and resources in design and testing to meet the stringent requirements that clients demand.

The in-house channel-partner sales and technical teams are here to work directly with you or through our network of distributors and representatives, locally, nationally and globally. Take advantage of their practical experience and product knowledge to make informed decisions based on your communication needs, environmental factors, regulatory requirements, budget considerations, growth and scheduling.

From individual telephone units to complete systems, our focus on customers' distinct needs is also addressed by customizing products whenever practical. From features to colors, finishes to labels, graphics, parts, enclosures and more.

Guardian can help guide you through the product selection process no matter how complex it is. We invite you to contact us to discuss your needs and see if our products & services will be the right fit.



Toll free (North America) 1 800 363-8010 Tel 403 258-3100 Fax 403 253-4967 E-mail info@guardiantelecom.com

Guardian Telecom's Product and Services Guide Catalogue is a compilation of individual Category Sections. They include an in-depth selection of Product Data Sheets from our extensive product lines including Analog and VoIP Telephones, Page/Talk, Cable, Talk/Back, PA/GA equipment, Acoustic Booths, Loudspeakers & Ringers and Accessories at the date of publication.

Based on a policy of continuous improvement, Guardian is constantly evaluating and redesigning existing models, adding new features and introducing new products to the benefit of our customers. Additional information can be found on our website at www.guardiantelecom.com.

Hazardous Area VoIP Telephones

Hazardous Area Desk/Wall IP Telephones — DTT-V-H & DTR-V-H

Guardian's DTT VoIP-H Hazardous Area IP Telephones are designed for use in Class I, Division 2 areas where gas may be present, ensuring high quality communications.

Housed in a high impact thermoset resin industrial housing and ergonomic heavy duty handset that are IP-66 compliant, these models are suitable for demanding applications indoors and outdoors.



Telephones — DTT-V-H

- DTT-50-V-H Telephone, Curly Handset Cord
- DTT-60-V-H Telephone, Armored Handset Cord

9-1

Ringdown Telephones — DTR-V-H

Lift the handset and the autodialer routes the call to its assigned location.

- DTR-51-V-H Ringdown Telephone, Curly Handset Cord
- DTR-61-V-H Ringdown Telephone, Armored Handset Cord

9-3

Hazardous Area Weather Resistant IP Telephones — WRT-V-H & WRR-V-H

Guardian's SIP-enabled WRT-V-H series of Hazardous Area Telephones are designed for use in Class I, Division 2 areas where hazardous gases may be present. Renowned for safety and durability from the phone's electronics to their sturdy enclosure constructed of an engineered polymer. Delivering high quality communications in moderately harsh environments where standard telephones are not suitable.



Telephones — WRT-V-H

- WRT-10-V-H Teleseal Keypad, Volume Control Handset, Curly Handset Cord
- WRT-30-V-H Metal Keypad, Volume Control Handset, Curly Handset Cord
- WRT-40-V-H Metal Keypad, Volume Control Handset, Armored Handset Cord

9-5



Ringdown Telephones — WRR-V-H

Lift the handset and the autodialer routes the call to its assigned location.

- WRR-11-V-H Volume Control Handset, Curly Handset Cord
- WRR-41-V-H Volume Control Handset with Armored Handset Cord, Mounting Plate

9-7

Hazardous Area VoIP Telephones continued ...

Hazardous Area Watertight — WTT-V-H & WTR-V-H

Guardian's WTR-V-H Hazardous Area Ringdown Telephones are certified for use in Class I, Division 2. They have Type 4X & IP66 ratings which makes them ideal for use in offshore, dusty or corrosive atmospheres.



Telephones — WTT-V-H

- WTT-30-V-H Watertight Telephone, Metal Keypad, Curly Handset Cord
- WTT-40-V-H Watertight Telephone, Metal Keypad, Armored Handset Cord

9-9

Ringdown Telephones — WTR-V-H

Lift the handset and the autodialer routes the call to its assigned location.

- WTR-11-V-H Watertight Ringdown Telephone, Curly Handset Cord
- WTR-41-V-H Watertight Ringdown Telephone, Armored Handset Cord

9-9

Hazardous Area Steel Compact VoIP Telephones – SCT-V-H & SCR-V-H

Guardian's SCR-V-H Hazardous Area Steel Compact IP Ringdown Telephones are designed for use in Class I, Division 2 areas where hazardous gases may be present. Designed for use in demanding indoor industrial applications and ideal for noisy areas.



Telephones – SCT-V-H

- SCT-10-V-H Teleseal Keypad, Volume Control Handset, Curly Handset Cord
- SCT-30-V-H Metal Keypad, Volume Control Handset, Curly Handset Cord
- SCT-40-V-H Metal Keypad, Volume Control Handset, Armored Handset Cord

9-11

Ringdown Telephones – SCR-V-H

Lift the handset and the autodialer routes the call to its assigned location.

- SCR-11-V-H Ringdown, Volume Control Handset, Curly Handset Cord
- SCR-41-V-H Ringdown, Volume Control Handset, Armored Handset Cord

9-13



DTT-V-H Series Hazardous Area Desk/Wall IP Telephones

DTT-50-V-H
– configured for
wallmount



DTT-50-V-H
– configured
for desktop



Guardian Telecom DTT-V-H Hazardous Area IP Telephones are designed to provide safe, reliable communication in Class I, Division 2 areas, ensuring high quality communications under extreme working conditions.

DTT-V-H models feature a urethane coated watertight keypad. DTT-V-H telephones are compatible with most SIP-based IP-PBX servers that comply with SIP RFC 3261.

See our Interoperability Guide for details.

FEATURES and BENEFITS

- PoE 802.3af enabled (Power-over-Ethernet) or alternate power source
- Compatible with most SIP-based IP-PBX servers that comply with SIP RFC 3261
- Network web management
- Guardian Discovery Utility makes it easy to detect, locate and launch the web based configuration screens
- Product self diagnostic testing available through web interface
- Network adjustable earpiece volume and microphone sensitivity
- Network downloadable firmware
- Remote programming – allows you to manage your network from a central location
- High impact thermoset resin industrial housing and ergonomic heavy duty handset – IP-66 compliant
- Back-lit LCD display – 2 line x 16 character: English, French or Spanish
- Reversible base for desktop or wall mount configurations
- Audio modes – handset and hands-free speaker phone or optional headsets. Note: when the optional headset is used the speaker phone feature is not available
- Corrosion resistant hardware
- Noise canceling microphone
- Magnetic reed hook switch to reduce parts subject to wear
- Service temperature range from -22° to +140°F (-30° to +60°C)
- Removable handset retainer latches on cradle
- Large urethane coated watertight silicon keypad
- Autodial, memory, mute and menu configuration keys
- Programmable auto hang-up timer
- Hearing-aid compatible (HAC) receiver
- Heavy duty curly handset cord on DTT-50-V-H or vandal resistant armored handset cord on DTT-60-V-H models
- Built in auxiliary relay to switch up to 0.5A @ 30VDC
- Two M20 and one M12 gland entries
- Field repairable by authorized personnel

APPLICATIONS

- Refineries
- Power Generation Facilities
- Pulp and Paper Mills
- Food Processing Plants
- Chemical Plants
- Material Sites
- Cement Plants
- Sewage Plants
- Drilling Rigs
- Hydroelectric Facilities
- Warehouses
- Mines
- Greenhouses
and more ...

ACCESSORIES and OPTIONS

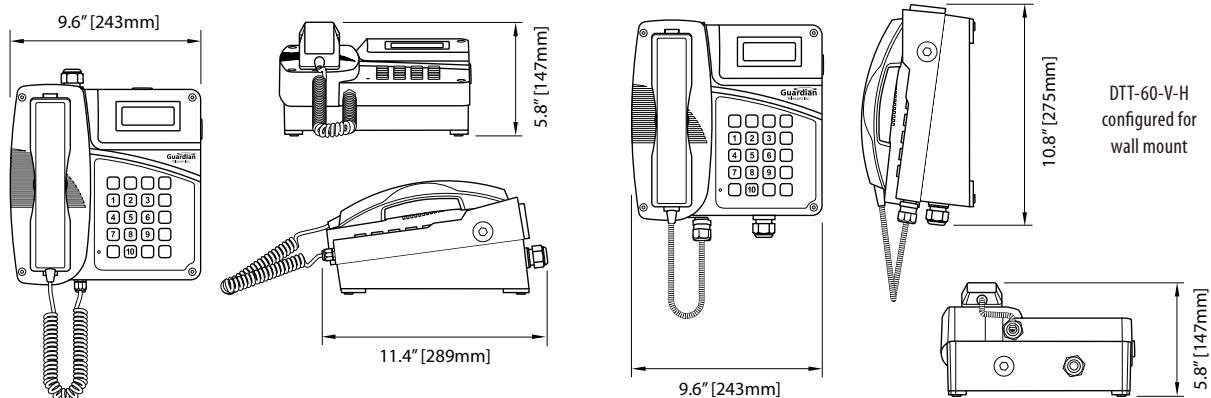
- 20' (6.1m) Curly Cord – for DTT-50-V-H
- Headset¹
- Custom colors available²

Guardian Telecom



ISO-9001:2008 Certification
Today's Quality Creates Our Future

OVERALL DIMENSIONS



DTT-50-V-H configured for desk mount

DTT-V-H Series Hazardous Area Industrial Desk/Wall IP Telephones

ENGINEERING SPECIFICATIONS

ELECTRICAL PERFORMANCE

Network Rate 10/100 Mbps
Protocol SIP (RFC 3261 Compliant)

ELECTRICAL REQUIREMENTS

Power Requirements 802.3 af Compliant
12-24V @ 1A
Auxiliary Relay 0.5A @ 30VDC

MECHANICAL SPECIFICATIONS

Hook Switch (Cradle Switch) Life >1 000 000 Operations
Housing Material High Impact Thermoset Resin Compound
Handset Material High Impact Thermoset Resin Compound
Net Weight 8.68 lbs (3.95 kg)
Shipping Weight
Shipping Dimensions (L x W x D) 16.0" x 10.5" x 9.5" (407 x 267 x 242 mm)
Mounting Desk or Wall
Microphone Noise Canceling
Receiver Hearing Aid Compatible (HAC)
Hardware Material Stainless Steel
Wiring Access 2 x M20 & 1 x M12 Cable Gland Entry Points

ENVIRONMENTAL

Corrosion Resistant & Dustproof Full Gasket Faceplate
Operating Temperature -22° to +140°F (-30° to +60°C)
Ingress Protection Rating IP66
Humidity 0 to 95% RH

COMPLIANCE

UL/CUL Class I, Division 2, Groups A, B, C and D
FCC Part 15¹, Class A
IC ICES-003 CLASS A
IEC CISPR 22: 2008
61000-6-2: 2005



¹ This device complies with Part 15 of the FCC Rules. Operation is subject to the following two conditions: (1) This device may not cause harmful interference, and (2) this device must accept any interference received, including interference that may cause undesired operation.

ORDERING INFORMATION

Warranty: One year parts and labor

Order No.	Description
P3046	DTT-50-V-H Telephone/Curlly Handset Cord
P3047	DTT-60-V-H Telephone/Armored Handset Cord

Options

20C-DTT-ZONE	20ft (6.1m) Coil Handset Cord for DTT-50-V-H
CC	Conformal Coated Circuit Board
¹ Headset	Contact a Guardian Telecom sales representative for details.
² Custom Colors	Custom colors are available. Minimum quantities or premiums may apply. For details on custom options, contact a Guardian Telecom sales representative.

Distributed by:

DTR-V-H Series Hazardous Area Desk/Wall IP Ringdown Telephones



DTR-61-V-H
– configured for
wallmount



DTR-51-V-H
– configured
for desktop



FEATURES and BENEFITS

- PoE 802.3af enabled (Power-over-Ethernet) or alternate power source
- Compatible with most SIP-based IP-PBX servers that comply with SIP RFC 3261
- Network web management
- Guardian Discovery Utility makes it easy to detect, locate and launch the web based configuration screens
- Product self diagnostic testing available through web interface
- Network adjustable earpiece volume and microphone sensitivity
- Network downloadable firmware
- Remote programming – allows you to manage your network from a central location
- High impact thermoset resin industrial housing and ergonomic heavy duty handset – IP-66 compliant
- Reversible base for desktop or wall mount configurations
- Corrosion resistant hardware
- Noise canceling microphone
- Magnetic reed hook switch to reduce parts subject to wear
- Service temperature range from -22° to +140°F (-30° to +60°C)
- Removable handset retainer latches on cradle
- Hearing-aid compatible (HAC) receiver
- Heavy duty curly handset cord on DTR-51-V-H or vandal resistant armored handset cord on DTR-61-V-H models
- Built in auxiliary relay to switch up to 0.5A @ 30VDC
- Two M20 and one M12 gland entries

APPLICATIONS

- Refineries
- Power Generation Facilities
- Pulp and Paper Mills
- Food Processing Plants
- Chemical Plants
- Material Sites
- Cement Plants
- Sewage Plants
- Drilling Rigs
- Hydroelectric Facilities
- Warehouses
- Mines
- Greenhouses
- and more . . .

ACCESSORIES and OPTIONS

- Conformal coated circuitry – protects components from humidity damage
- 20' (6.1m) Curly Cord – for DTR-51-V-H
- Headset¹
- Custom colors available²

Guardian Telecom DTR-V-H Hazardous Area IP Ringdown Telephones are designed to provide safe, reliable communication in Class I, Division 2 areas, ensuring high quality communications under extreme working conditions.

Lift a DTR-V-H handset and PBX programming routes the call to its assigned location.

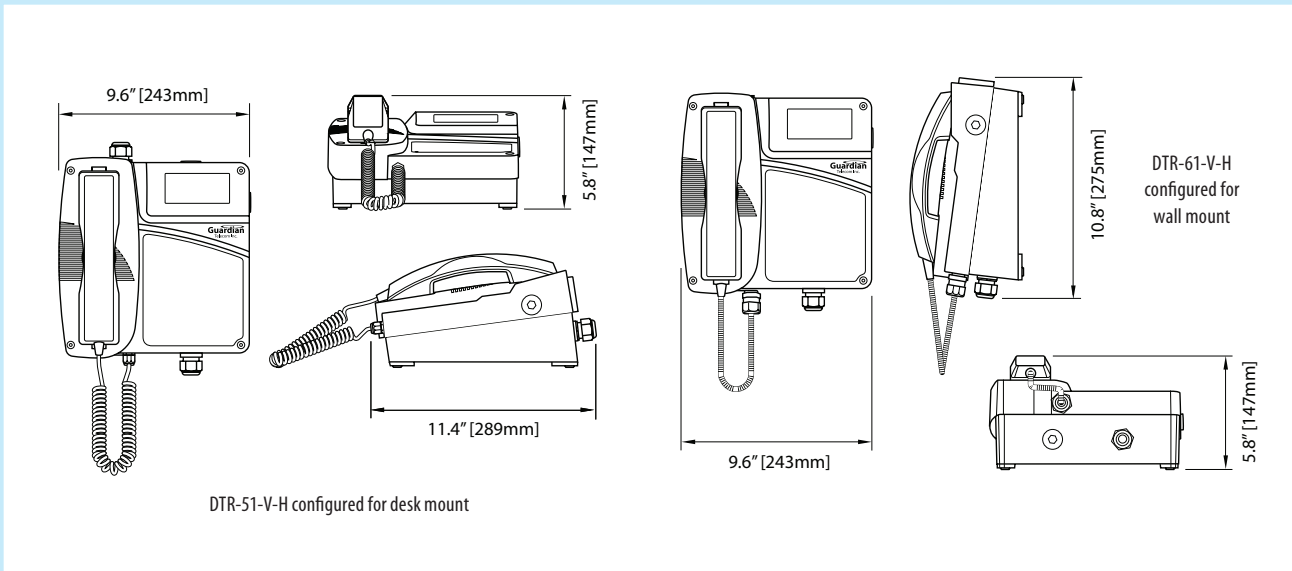
DTR-V-H Hazardous Area IP Ringdown Telephones are compatible with most SIP-based IP PBX servers that comply with SIP RFC 3261. See our Interoperability Guide for details.

**Guardian
Telecom**



ISO-9001:2008 Certification
Today's Quality Creates Our Future

OVERALL DIMENSIONS



DTR-V-H Series Hazardous Area Desk/Wall IP Ringdown Telephones

ENGINEERING SPECIFICATIONS

ELECTRICAL PERFORMANCE

Network Rate 10/100 Mbps
Protocol SIP (RFC 3261 Compliant)

ELECTRICAL REQUIREMENTS

Power Requirements 802.3 af Compliant
12-24V @ 1A
Auxiliary Relay 0.5A @ 30VDC

MECHANICAL SPECIFICATIONS

Hook Switch (Cradle Switch) Life >1 000 000 Operations
Housing Material High Impact Thermoset Resin Compound
Handset Material High Impact Thermoset Resin Compound
Net Weight 8.68 lbs (3.95 kg)
Shipping Weight 10.7 lbs (4.9 kg)
Shipping Dimensions (L x W x D) 16.0" x 10.5" x 9.5" (407 x 267 x 242 mm)
Mounting Desk or Wall
Microphone Noise Canceling
Receiver Hearing Aid Compatible (HAC)
Hardware Material Stainless Steel
Wiring Access 2 x M20 Cable Gland Entry Points

ENVIRONMENTAL

Corrosion Resistant & Dustproof Full Gasket Faceplate
Operating Temperature -22" to +140" F (-30" to +60" C)
Ingress Protection Rating IP66
Humidity 0 to 95% RH

COMPLIANCE

UL/CUL Class I, Division 2, Groups A, B, C and D
FCC Part 15¹, Class A
IC ICES-003 CLASS A
IEC CISPR 22: 2008
61000-6-2: 2005



¹ This device complies with Part 15 of the FCC Rules. Operation is subject to the following two conditions: (1) This device may not cause harmful interference, and (2) this device must accept any interference received, including interference that may cause undesired operation.

ORDERING INFORMATION

Warranty: One year parts and labor

Order No.	Description
P3048	DTR-51-V-H Ringdown Telephone/Curly Handset Cord
P3049	DTR-61-V-H Ringdown Telephone/Armored Handset Cord
Options	
20C-DTR-ZONE	20ft (6.1m) Curly Handset Cord for DTR-51-V-H
CC	Conformal Coated Circuit Board
¹ Headset	Contact a Guardian Telecom sales representative for details.
² Custom Colors	Custom colors are available. Minimum quantities or premiums may apply. For details on custom options, contact a Guardian Telecom sales representative.

Distributed by:

WRT-V-H Series Hazardous Area IP Telephones

FEATURES and BENEFITS

- "Full" duplex voice operation
- PoE 802.3af enabled (Power-over-Ethernet) or alternate power source
- Compatible with most SIP-based IP-PBX servers that comply with SIP (RFC 3261). (Refer to the Guardian VoIP web page for a list of certified servers)
- Network web management interface
- Guardian Discovery Utility makes it easy to detect, locate and launch the web based configuration screens
- Product self diagnostic testing available through web interface
- Network adjustable speaker volume and microphone sensitivity
- Network downloadable firmware
- Remote programming – allows you to manage your emergency network from a central location
- Steel powder coated faceplate to eliminate corrosion
- Heavy duty G type industrial volume control handset
- Rust and corrosion resistant stainless steel hardware
- Electret noise reducing microphone
- Electronic ringer for reliability
- WRT-10-V-H – Waterproof Teleseal Keypad, Curly Cord and Mounting Plate
- WRT-30-V-H – Weather and Dust Proof Metal Keypad, Curly Cord and Mounting Plate
- WRT-40-V-H – Weather and Dust Proof Metal Keypad, Armored Cord and Mounting Plate
- Temperature range -22° to +140°F (-30° to +60°C)
- Weather, dust & corrosion resistant for any industrial application
- Magnetic reed hook switch to reduce parts subject to wear
- Modular parts for easy service
- Hearing aid compatible

APPLICATIONS

These telephones are designed for use in locations where the atmosphere may be hazardous due to the presence of gases, dust, or fibers such as:

- Oil Refineries
- Ammonia & Fertilizer Plants
- Paint & Varnish Manufacturing
- Chemical Plants
- Sewage Treatment Plants
- Pulp & Paper Mills
- Drilling Rigs
- Mines
- Bulk Loading Stations
- Grain Processing Facilities
- Food Processing Facilities and more . . .

ACCESSORIES and OPTIONS

- Noise canceling microphone
- Retainer clips – must be ordered with WRT-10-V-H & WRT-30-V-H (standard on WRT-40-V-H)
- Extended Handset Cords



Guardian Telecom's SIP-enabled WRT-V-H Series of Weather Resistant Telephones for Class I Division 2 Hazardous Areas are engineered to deliver reliable, high quality communications in moderately harsh environments, where standard telephones are not suitable. Designed for use in industrial applications and ideal for noisy areas.

WRT-V-H Telephones are compatible with most SIP-based IP-PBX servers that comply with SIP RFC 3261.

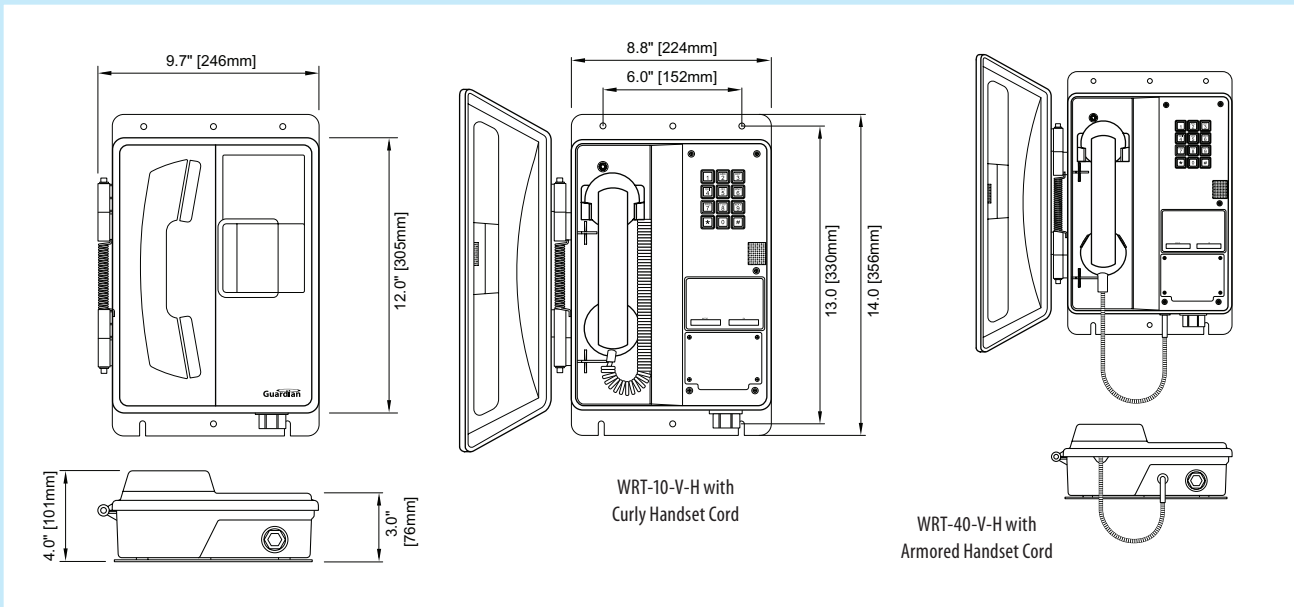
See our Interoperability Guide for details.

**Guardian
Telecom**



ISO-9001:2008 Certification
Today's Quality Creates Our Future

OVERALL DIMENSIONS



WRT-V-H Series Weather Resistant Telephones

ENGINEERING SPECIFICATIONS

ELECTRICAL PERFORMANCE

Network Rate
Protocol

10/100 Mbps
SIP (RFC 3261 Compliant)

ELECTRICAL REQUIREMENTS

Power Requirements

802.3 af Compliant
12-24V @ 1A
0.5A @ 30VDC

Auxiliary Relay

MECHANICAL SPECIFICATIONS

Hook Switch (Cradle Switch) Life
Body Construction
Faceplate
Net Weight
Shipping Weight
Shipping Dimensions (H x W x D)
Hand Set Construction
Mounting
Wiring Access
Microphone
Receiver
Hardware Material

>1 000 000 Operations
16 Ga CRS Steel
Corrosion Protected & Powder Coated
7.0 lbs (3.2 kg)
8.0 lbs (3.7 kg)
15.0" x 5.0" x 11.5" (381 x 127 x 293 mm)
High Impact ABS
Vertical Wall
1/2" NPT Conduit Hub
Noise Reducing Electret
Hearing Aid Compatible
Stainless Steel

ENVIRONMENTAL

Weather Proof Enclosure
Temperature
Humidity
Corrosion Resistant

Type 3R
-22° to +140°F (-30° to +60°C)
0 - 95% RH Non-Condensing
Full Gasket Faceplate

COMPLIANCE

UL/CUL
FCC
IC

Class I, Division 2, Groups A, B, C and D
Part 15[†], Class A
ICES-003 CLASS A
CISPR 22: 2008
61000-6-2: 2005



[†] This device complies with Part 15 of the FCC Rules. Operation is subject to the following two conditions: (1) This device may not cause harmful interference, and (2) this device must accept any interference received, including interference that may cause undesired operation.

ORDERING INFORMATION

Warranty: One year parts and labor

Order No.	Description
P6301	WRT-10-V-H Teleseal Keypad/ Volume Control Handset/Curly Cord
P6306	WRT-30-V-H Metal Keypad/Volume Control Handset/Curly Cord
P6307	WRT-40-V-H Metal Keypad/Volume Control Handset/Armored Cord
Options	
36AVC	36" (.9m) Armored Handset Cord for WRT-40-V-H
72AVC	72" (1.8m) Armored Handset Cord for WRT-40-V-H
20VCV	20' (6.1m) Curly Cord, Volume Control Handset for WRT-10-V-H & WRT-30-V-H
CC	Conformal Coated Circuit Board
NC	Noise Canceling Microphone
RC-WRT/WRR	Retainer Clips – must be ordered with WRT-10-V-H & WRT-30-V-H (standard on WRT-40-V-H)
GRV	Grey Enclosure
RED	Red Enclosure

Distributed by:

WRR-V-H Series Hazardous Area IP Ringdown Telephones



Guardian Telecom's WRR-V-H Series of Hazardous Area Ringdown Telephones are manufactured for use in Class I, Division 2 hazardous areas. These phones are designed for rough-service areas with limited, special communication needs, assuring high quality communications under extreme working conditions. Lift the handset and the autodialer routes the call to its assigned location.

WRR-V-H Ringdown Telephones are compatible with most SIP-based IP-PBX servers that comply with SIP RFC 3261.

See our Interoperability Guide for details.

FEATURES and BENEFITS

- "Full" duplex voice operation
- PoE 802.3af enabled (Power-over-Ethernet) or alternate power source
- Compatible with most SIP-based IP-PBX servers that comply with SIP (RFC 3261). (Refer to the Guardian VoIP web page for a list of certified servers)
- Network web management interface
- Guardian Discovery Utility makes it easy to detect, locate and launch the web based configuration screens
- Product self diagnostic testing available through web interface
- Network adjustable speaker volume and microphone sensitivity
- Network downloadable firmware
- Remote programming – allows you to manage your network from a central location
- Heavy duty G type industrial volume control handset
- Rust and corrosion resistant stainless steel hardware
- Compact durable enclosure with mounting plate
- Steel powder coated faceplate to eliminate corrosion
- Front access plate for ease of hook-up
- Electret noise reducing microphone
- Electronic ringer for reliability
- Temperature range -22° to +140°F (-30° to +60°C)
- Weather, dust & corrosion resistant for any industrial application
- Magnetic reed hook switch to reduce parts subject to wear
- Modular parts for easy service
- Hearing aid compatible

APPLICATIONS

WRR-V-H Hazardous Area IP Ringdown Telephones are designed to provide reliable communications in environments where the atmosphere may be hazardous and subject to moisture, dust and corrosive chemicals such as:

- Transit Authorities
- Amusement Parks
- Cement Plants
- Universities
- Sewage Plants
- Greenhouses
- Swimming Pools
- Parking Garages
- Plant Entry Gates
- Pulp & Paper Mills
- Construction Sites
- Food Processing Facilities
- Ships
- Mines
- Airports
- Docksides
- Warehouses
- and more ...

ACCESSORIES and OPTIONS

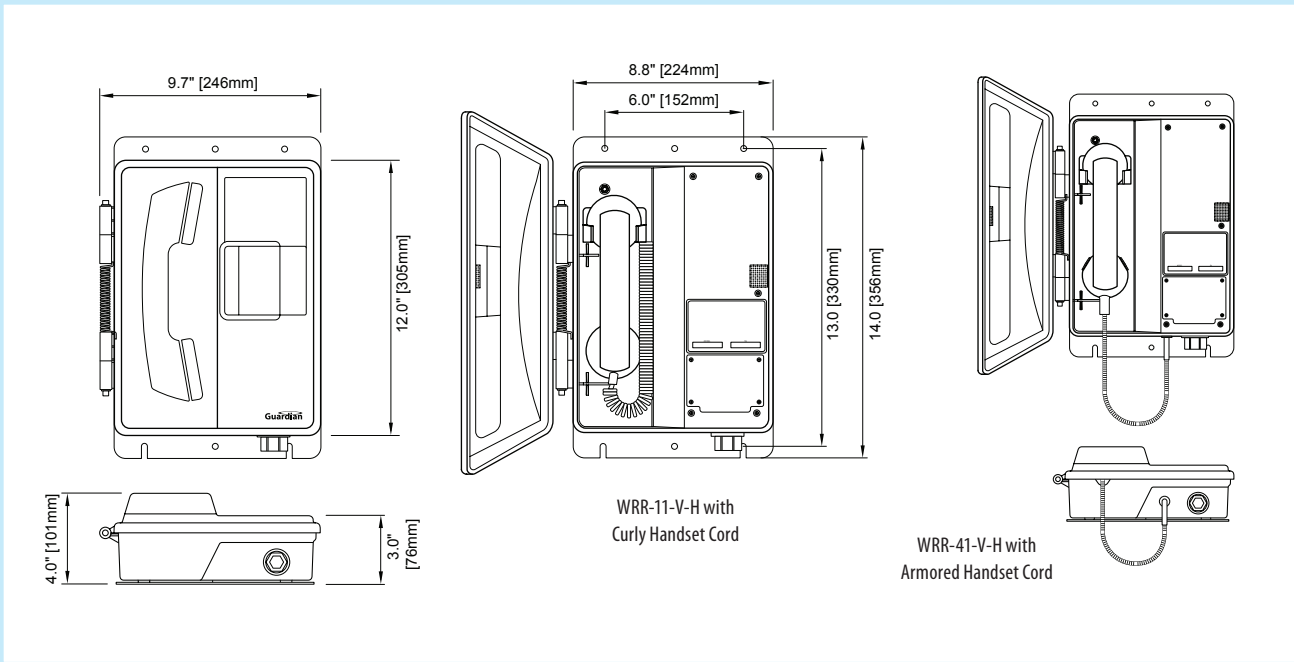
- NC – Noise canceling microphone
- RC-WRT/WRR – Retainer clips – must be ordered with WRR-11-V-H (standard on WRR-41-V-H)
- Extended Handset Cords

**Guardian
Telecom**



ISO-9001:2008 Certification
Today's Quality Creates Our Future

OVERALL DIMENSIONS



WRR-V-H Series Weather Resistant IP Ringdown Telephones

ENGINEERING SPECIFICATIONS

ELECTRICAL PERFORMANCE

Network Rate Protocol

10/100 Mbps
SIP (RFC 3261 Compliant)

ELECTRICAL REQUIREMENTS

Power Requirements

802.3 af Compliant
12-24V @ 1A
0.5A @ 30VDC

Auxiliary Relay

MECHANICAL SPECIFICATIONS

Hook Switch (Cradle Switch) Life
Body Construction
Faceplate
Net Weight (including mounting plate)
Shipping Weight (including mounting plate)
Shipping Dimensions (H x W x D)
Hand Set Construction
Mounting
Wiring Access
Microphone
Receiver
Hardware Material

>1 000 000 Operations
GE Valox 357[®] Engineering Polymer
Corrosion Protected & Powder Coated
7.5 lbs (3.4 kg)
8.0 lbs (3.7 kg)
15.0" x 5.0" x 11.5" (381 x 127 x 293 mm)
High Impact ABS
Vertical Wall
1/2" NPT Conduit Hub
Noise Reducing Electret
Hearing Aid Compatible
Stainless Steel

ENVIRONMENTAL

Weather Proof Enclosure
Temperature
Humidity
Corrosion Resistant

Type 3R
-22° to +140°F (-30° to +60°C)
0 - 95% RH Non-Condensing
Full Gasket Faceplate

COMPLIANCE

UL/CUL
FCC
IC

IEC



Class I, Division 2, Groups A, B, C and D
Part 15[†], Class A
ICES-003 CLASS A
CISPR 22: 2008
61000-6-2: 2005

[†] This device complies with Part 15 of the FCC Rules. Operation is subject to the following two conditions: (1) This device may not cause harmful interference, and (2) this device must accept any interference received, including interference that may cause undesired operation.

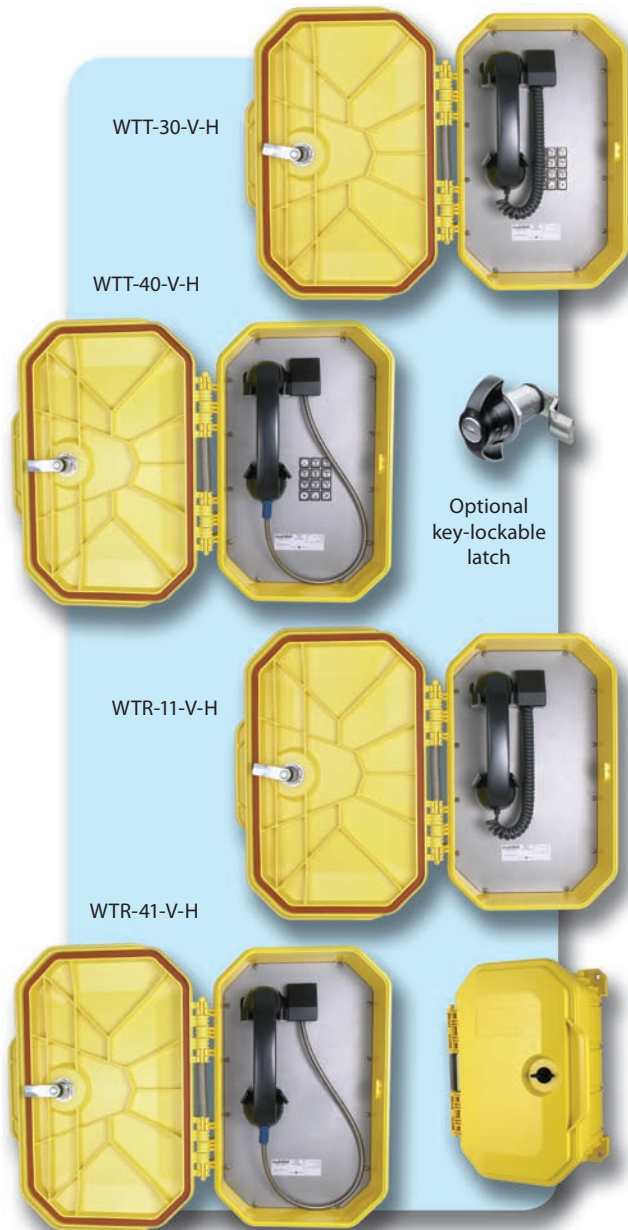
ORDERING INFORMATION

Warranty: One year parts and labor

Order No.	Description
P6308	WRR-11-V-H Volume Control Handset/Curly Cord
P6309	WRR-41-V-H Volume Control Handset with Armored Cord/Mounting Plate
Options	
36AVC	36" (.9m) Armored Handset Cord for WRR-41-V-H
72AVC	72" (1.8m) Armored Handset Cord for WRR-41-V-H
20VCV	20' (6.1m) Curly Cord, Volume Control Handset for WRR-11-V-H
CC	Conformal Coated Circuit Board
NC	Noise Canceling Microphone
RC-WRT/WRR	Retainer Clips — must be ordered with WRR-11-V-H (standard on WRR-41-V-H)
GRV	Grey Enclosure
RED	Red Enclosure

Distributed by:

WTT-V-H / WTR-V-H Hazardous Area Watertight IP Telephones & Watertight IP Ringdown Telephones



FEATURES and BENEFITS

- "Full" duplex operation
- PoE 802.3af enabled (Power-over-Ethernet) or alternate power source
- Compatible with most SIP-based IP-PBX servers that comply with SIP (RFC 3261). (Refer to the Guardian VoIP web page for a list of certified servers)
- Network web management interface
- Guardian Discovery Utility makes it easy to detect, locate and launch the web based configuration screens
- Product self diagnostic testing available through web interface
- Network adjustable speaker volume and microphone sensitivity
- Network downloadable firmware
- Remote programming – allows you to manage your network from a central location
- Corrosion protected and powder coated steel, full gasket faceplate
- WTT-V-H models have metal keypads for extended life
- Vandal resistant armored handset cord with lanyard on WTT-40-V-H & WTR-41-V-H models
- Heavy duty G Type industrial handset
- Integrated mounting feet
- Handset retainers to maintain on-hook status
- Spring loaded door
- Drill guides provided for top & bottom mount glands
- Electret noise reducing microphone for clear communication
- Temperature range -22° to +140°F (-30° to +60°C)
- Water/dust-tight thermoplastic resin enclosure, Type 4X & IP66
- Waterproof connections & stainless steel fittings for longer life
- Magnetic reed hook switch to reduce parts subject to wear
- Modular parts for easy service
- Hearing aid compatible & receiver volume adjustment

APPLICATIONS

Guardian's WTT-V-H & WTR-V-H telephones are the top of the line telephones for use in the most extreme conditions such as:

- All Outdoor Locations
- Construction Sites
- Greenhouses
- Pulp & Paper Mills
- Food Processing Plants
- Sewage Plants
- Highway Call Boxes
- Outdoor Sporting Facilities
- Parks
- Public Access Areas
- Correctional Facilities
- Tunnels
- Parking Structures
- University Campuses
- Waterfronts
- Public Transit Sites
- Plant Entry Gates
- and more ...

ACCESSORIES and OPTIONS

- Conformal coated circuitry – protects components from humidity damage
- Key-lockable latch
- Vandal resistant faceplate screws
- Dynamic Noise Canceling Microphone
- External ringer
- Visual Alerter
- Choice of enclosure colors*
- Custom embossed logo or smooth face for label*

*minimum quantity required – consult with sales agent

Guardian's WTT-V-H & WTR-V-H Hazardous Area Telephones have been designed to provide dependable service in hazardous areas. In addition to being certified for use in Class I, Division 2 applications with Type 4X & IP66 ratings these are ideal telephones for harsh, dusty or corrosive atmospheres and offshore.

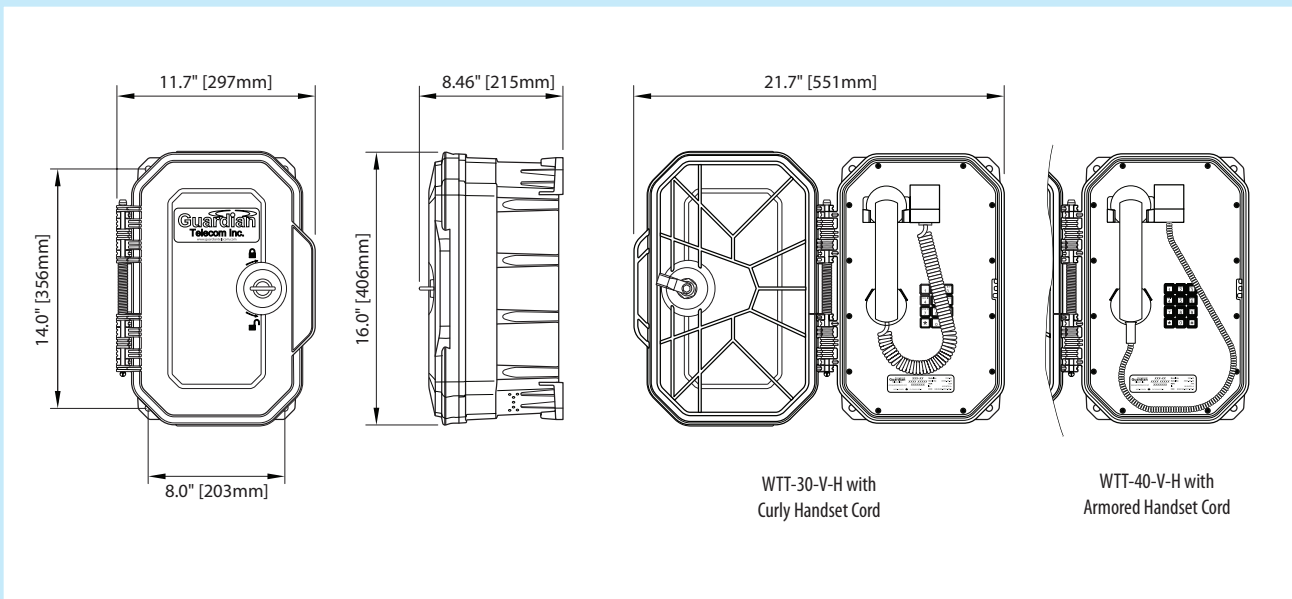
WTT-V-H & WTR-V-H Telephones are compatible with most SIP-based IP-PBX servers that comply with SIP RFC 3261. See our Interoperability Guide for details.

**Guardian
Telecom**



ISO-9001:2008 Certification
Today's Quality Creates Our Future

OVERALL DIMENSIONS



WTT-V-H Watertight VoIP Telephones • WTR-V-H Watertight VoIP Ringdown Telephones

ENGINEERING SPECIFICATIONS

ELECTRICAL PERFORMANCE

Network Rate 10/100 Mbps
Protocol SIP (RFC 3261 Compliant)

ELECTRICAL REQUIREMENTS

Power Requirements 802.3 af Compliant
12-24V @ 1A
Auxiliary Relay 0.5A @ 30VDC

MECHANICAL SPECIFICATIONS

Hook Switch (Cradle Switch) Life >1 000 000 Operations
Body Construction Thermoplastic Resin
Faceplate Corrosion Protected & Powder Coated
Net Weight 11.8 lbs (5.4 kg)
Shipping Weight 14.0 lbs (6.3 kg)
Shipping Dimensions (L x W x D) 20.0" x 15.0" x 12.0" (508 x 381 x 305 mm)
Hand Set Construction High Impact ABS
Mounting Vertical Wall
Microphone Noise Reducing Electret
Receiver Hearing Aid Compatible
Hardware Material Stainless Steel
Connection Fittings Up to 4 Drill Guides for Gland Support

ENVIRONMENTAL

Water/Dust Tight Enclosure Type 4X & IP66
Temperature -22° to +140°F (-30° to +60°C)

COMPLIANCE

UL/CUL Class I, Division 2, Groups A, B, C and D
FCC Part 15[†], Class A
ICES-003 CLASS A
CISPR 22: 2008
IEC 61000-6-2: 2005



[†] This device complies with Part 15 of the FCC Rules. Operation is subject to the following two conditions: (1) This device may not cause harmful interference, and (2) this device must accept any interference received, including interference that may cause undesired operation.

ORDERING INFORMATION

Warranty: One year parts and labor

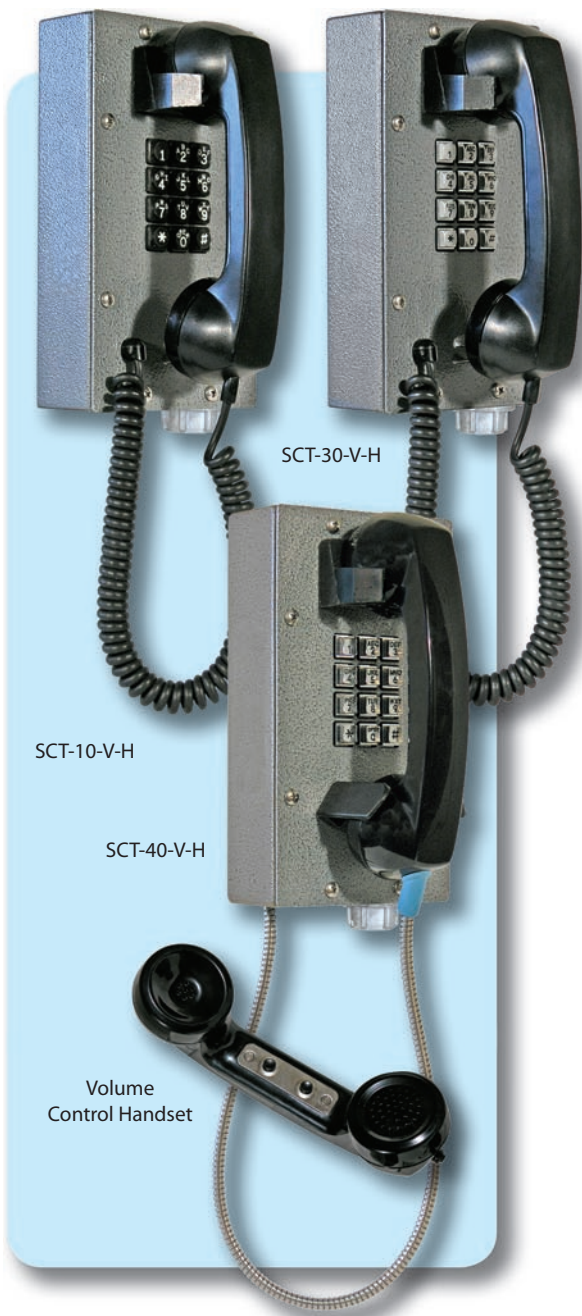
Order No.	Description
P5312	WTT-30-V-H Watertight Telephone/Metal Keypad/Curly Handset Cord
P5313	WTT-40-V-H Watertight Telephone/Metal Keypad/Armored Handset Cord
P5314	WTR-11-V-H Watertight Ringdown Telephone/Curly Handset Cord
P5315	WTR-41-V-H Watertight Ringdown Telephone/Armored Handset Cord

Options

CC Conformal Coated Circuit Board
NC Noise Canceling Microphone
LCK-WTE Locking Door
VR-WTE Vandal Resistant Faceplate Screws
Choice of enclosure colors*
Custom embossed logo or smooth face for label*
* minimum quantity required – consult with sales agent

Distributed by:

SCT-V-H Series Hazardous Area Steel Compact IP Telephones



FEATURES and BENEFITS

- "Full" duplex voice operation
- PoE 802.3af enabled (Power-over-Ethernet) or alternate power source
- Compatible with most SIP-based IP-PBX servers that comply with SIP (RFC 3261). (Refer to the Guardian VoIP web page for a list of certified servers)
- Network web management interface
- Guardian Discovery Utility makes it easy to detect, locate and launch the web based configuration screens
- Product self diagnostic testing available through web interface
- Network adjustable speaker volume and microphone sensitivity
- Network downloadable firmware
- Remote programming – allows you to manage your network from a central location
- 16 gauge corrosion protected steel enclosure with powder coat finish
- Heavy duty G type industrial volume control handset
- Rust and corrosion resistant stainless steel hardware
- Electret noise reducing microphone
- Electronic ringer for reliability
- SCT-10-V-H – Waterproof Teleseal Keypad and Curly Cord
- SCT-30-V-H – Weather and Dust Proof Metal Keypad and Curly Cord
- SCT-40-V-H – Weather and Dust Proof Metal Keypad and Armored Cord
- Temperature range -22° to +140°F (-30° to +60°C)
- Weather, dust & corrosion resistant for any industrial application
- Magnetic reed hook switch to reduce parts subject to wear
- Modular parts for easy service
- Hearing aid compatible

APPLICATIONS

- Refineries
- Power Generation Facilities
- Pulp and Paper Mills
- Food Processing Plants
- Chemical Plants
- Construction Sites
- Cement Plants
- Sewage Plants
- Drilling Rigs
- Hydroelectric Facilities
- Warehouses
- Mines
- Greenhouses and more . . .

ACCESSORIES and OPTIONS

- NC – Noise canceling microphone
- RC-SCT – Retainer clips – must be ordered with SCT-10-V-H & SCT-30-V-H (standard on SCT-40-V-H)
- BP – Back plate for SCT-V-H & SCR-V-H phones
- Extended Handset Cords

Guardian's SCT-V-H Series of Hazardous Area Steel Compact Telephones are engineered to deliver reliable, high quality communications in moderately harsh environments; where standard telephones are not suitable. For use in industrial applications and ideal for noisy areas.

SCT-V-H Telephones are compatible with most SIP-based IP-PBX servers that comply with SIP RFC 3261.

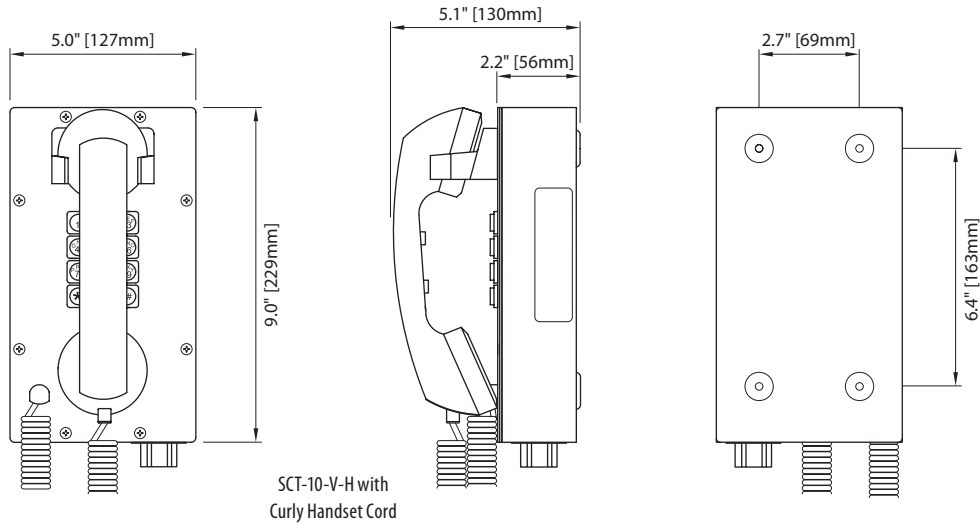
See our Interoperability Guide for details.

**Guardian
Telecom**



ISO-9001:2008 Certification
Today's Quality Creates Our Future

OVERALL DIMENSIONS



SCT-V-H Series Steel Compact IP Telephones

ENGINEERING SPECIFICATIONS

ELECTRICAL PERFORMANCE

Network Rate
Protocol

10/100 Mbps
SIP (RFC 3261 Compliant)

ELECTRICAL REQUIREMENTS

Power Requirements

802.3 af Compliant
12-24V @ 1A
0.5A @ 30VDC

Auxiliary Relay

MECHANICAL SPECIFICATIONS

Hook Switch (Cradle Switch) Life
Body Construction
Faceplate
Net Weight
Shipping Weight
Shipping Dimensions (H x W x D)
Hand Set Construction
Mounting
Wiring Access
Microphone
Receiver
Hardware Material

>1 000 000 Operations
16 Ga CRS Steel
Corrosion Protected & Powder Coated
4.0 lbs (1.81 kg)
6.0 lbs (2.72 kg)
15.0" x 5.0" x 11.5" (381 x 127 x 293 mm)
High Impact ABS
Vertical Wall
1/2" NPT Conduit Hub
Noise Reducing Electret
Hearing Aid Compatible
Stainless Steel

ENVIRONMENTAL

Weather Proof Enclosure
Temperature
Humidity
Corrosion Resistant

Type 3R
-22° to +140°F (-30° to +60°C)
0 - 95% RH Non-Condensing
Full Gasket Faceplate

COMPLIANCE

UL/CUL
FCC
IC

Class I, Division 2, Groups A, B, C and D
Part 15[†], Class A
ICES-003 CLASS A
CISPR 22: 2008
61000-6-2: 2005



[†] This device complies with Part 15 of the FCC Rules. Operation is subject to the following two conditions: (1) This device may not cause harmful interference, and (2) this device must accept any interference received, including interference that may cause undesired operation.

ORDERING INFORMATION

Warranty: One year parts and labor

Order No.	Description
P6084	SCT-10-V-H Teleseal Keypad/Volume Control Handset/Curly Cord
P6089	SCT-30-V-H Metal Keypad/Volume Control Handset/Curly Cord
P6090	SCT-40-V-H Metal Keypad/Volume Control Handset/Armored Cord
Options	
36AVC	36" (.9m) Armored Handset Cord for SCT-40-V-H
72AVC	72" (1.8m) Armored Handset Cord for SCT-40-V-H
20VCV	20' (6.1m) Curly Cord, Volume Control Handset for SCT-10-V-H & SCT-30-V-H
CC	Conformal Coated Circuit Board
NC	Noise Canceling Microphone
RC-SCT	Retainer Clips – must be ordered with SCT-10-V-H & SCT-30-V-H (standard on SCT-40-V-H)
BP - SCT/SCR	Back Plate for SCT-V-H/SCR-V-H telephones

Distributed by:

SCR-V-H Series Hazardous Area Steel Compact IP Ringdown Telephones



FEATURES and BENEFITS

- "Full" duplex voice operation
- PoE 802.3af enabled (Power-over-Ethernet) or alternate power source
- Compatible with most SIP-based IP-PBX servers that comply with SIP (RFC 3261). (Refer to the Guardian VoIP web page for a list of certified servers)
- Network web management interface
- Guardian Discovery Utility makes it easy to detect, locate and launch the web based configuration screens
- Product self diagnostic testing available through web interface
- Network adjustable speaker volume and microphone sensitivity
- Network downloadable firmware
- Remote programming – allows you to manage your network from a central location
- 16 gauge zinc dichromate plated steel enclosure with powder coat finish
- Heavy duty industrial volume control handset
- Rust and corrosion resistant stainless steel hardware
- Electret noise reducing microphone
- Magnetic reed hook-switch reduces moving parts subject to wear
- Service temperature range from -22° to +140°F (-30° to +60°C)
- Surge arrestor to prevent voltage spike damage
- Electronic ringer for reliability
- Modular parts for easy service
- Hearing aid compatible
- SCR-11-V-H – Curly Cord
- SCR-41-V-H – Armored Cord

Guardian's SCR-V-H series of Hazardous Area Steel Compact IP Ringdown Telephones are designed for harsh environments with special communication needs, ensuring high quality communications under extreme working conditions. Lift the handset and the autodialer routes the call to its assigned location.

SCR-V-H Ringdown Telephones are compatible with most SIP-based IP-PBX servers that comply with SIP RFC 3261.

See our Interoperability Guide for details.

APPLICATIONS

SCR-V-H Hazardous Area Steel Compact IP Ringdown Telephones are designed for use in harsh industrial environments such as:

- Refineries
- Power Generation Facilities
- Pulp and Paper Mills
- Food Processing Plants
- Chemical Plants
- Construction Sites
- Cement Plants
- Sewage Plants
- Drilling Rigs
- Hydroelectric Facilities
- Warehouses
- Mines
- Greenhouses
- and more ...

ACCESSORIES and OPTIONS

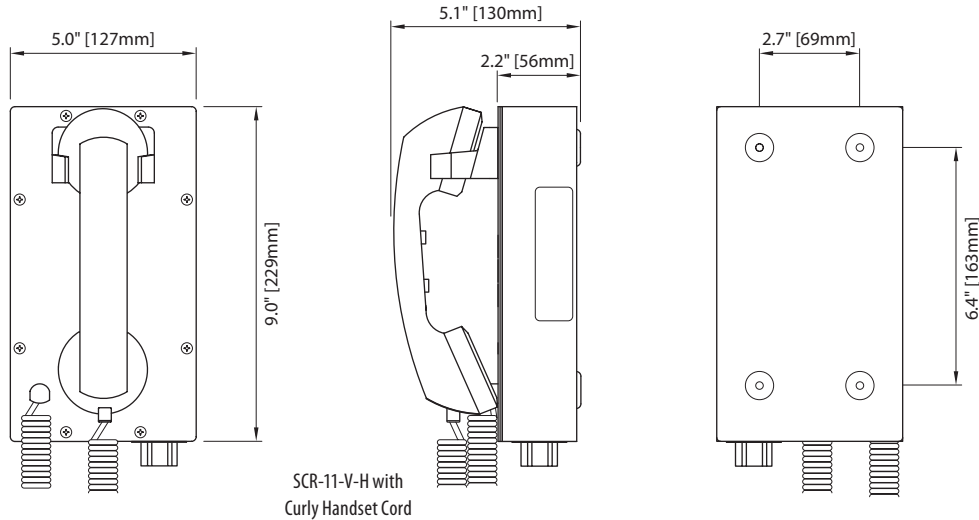
- 36" (.9m) & 72" (1.8m) Armored handset cords for SCR-41-V-H
- NC – Noise canceling microphone
- RC-SCR – Retainer clips – must be ordered with phone (standard on SCR-41-V-H)
- BP – Back plate for SCT-V-H & SCR-V-H phones
- Extended Handset Cords

**Guardian
Telecom**



ISO-9001:2008 Certification
Today's Quality Creates Our Future

OVERALL DIMENSIONS



SCR-V-H Series Hazardous Area Steel Compact IP Ringdown Telephones

ENGINEERING SPECIFICATIONS

ELECTRICAL PERFORMANCE

Network Rate
Protocol

10/100 Mbps
SIP (RFC 3261 Compliant)

ELECTRICAL REQUIREMENTS

Power Requirements

802.3 af Compliant
12-24V @ 1A
0.5A @ 30VDC

Auxiliary Relay

MECHANICAL SPECIFICATIONS

Hook Switch (Cradle Switch) Life
Body Construction
Finish
Net Weight
Shipping Weight
Shipping Dimensions (L x W x D)
Hand Set Construction
Mounting
Wiring Access
Microphone
Receiver
Hardware Material

>1 000 000 Operations
16 Ga CRS Steel
Zinc Dichromate Plated & Powder Coated
4.0 lbs (1.8 kg)
6.0 lbs (2.7 kg)
15.0" x 5.0" x 11.5" (381 x 127 x 293 mm)
High Impact ABS
Vertical Wall
1/2" NPT Conduit Hub
Noise Reducing Electret
Hearing Aid Compatible
Stainless Steel

ENVIRONMENTAL

Temperature
Humidity
Corrosion Resistant

-22° to +140°F (-30° to +60°C)
0- 95% RH Non-Condensing
Full Gasket Faceplate

COMPLIANCE

UL/CUL
FCC
IC

Class I, Division 2, Groups A, B, C and D
Part 15[†], Class A
ICES-003 CLASS A
CISPR 22: 2008
61000-6-2: 2005



[†] This device complies with Part 15 of the FCC Rules. Operation is subject to the following two conditions: (1) This device may not cause harmful interference, and (2) this device must accept any interference received, including interference that may cause undesired operation.

ORDERING INFORMATION

Warranty: One year parts and labor

Order No.	Description
P6091	SCR-11-V-H Ringdown/Volume Control Handset/Curly Cord
P6092	SCR-41-V-H Ringdown/Volume Control Handset/Armored Cord

Options

36AVC	36" (.9m) Armored Handset Cord for SCR-41-V-H
72AVC	72" (1.8m) Armored Handset Cord for SCR-41-V-H
20VCV	20' (6.1m) Curly Cord, Volume Control Handset for SCR-11-V-H
CC	Conformal Coated Circuit Board
NC	Noise Canceling Microphone
RC-SCR	Retainer Clips – must be ordered with phone (standard on SCR-41-V-H)
BP-SCT/SCR	Back Plate for SCT-V-H & SCR-V-H phones

Distributed by:

Sections

Guardian Telecom's Product and Services Guide Catalogue is a compilation of individual Category Section Publications

Guardian

1

About Guardian Telecom

- Building on a Legacy of Design and Service
- Communications: Easy, Reliable and Safe
- More Choices, Selections and Services
- Standard Features
- Options & Accessories
- Product and Project Consultation
- Commissioning Services
- Sound Studies
- Training
- Maintenance, Cleaning, Trouble Shooting & Refurbishment
- Custom Design
- Page/Talk, Telephone, PA/GA and Talk/Back Systems
- Standards and Classifications

Knowledge Base





Glossary

Products

Analog Telephones





Explosion Proof		2
ATEX-IEC		3
Hazardous Area		4
Outdoor Industrial		5
Indoor Industrial		6
Emergency/Help Point		7
Correctional		8

VoIP Telephones

Hazardous Area VoIP		9
Outdoor Industrial VoIP		10
Indoor Industrial VoIP		11
Emergency/Help Point VoIP		12

¹ Page/Party® is a registered trademark of GAI-Tronics Inc. Use does not imply endorsement.

Page/Talk

Explosion Proof		13
Stations		14
System Cable		15
System Components		16

Page Station Module Replacements

Page/Party® Module Replacements ¹		17
Page/Talk Module Replacements		17

Talk/Back

Explosion Proof Amplifier		18
Multi-Channel Amplifiers		18

PA/GA

System Components		19
-------------------	---	----

Acoustic Booths

Aluminum & GRP		20
----------------	---	----

Loudspeakers/Ringers

Explosion Proof		21
Hazardous Area		22
ATEX-IEC		23
General Area		24



Guardian represents DNH, E2S, Federal Signal, MEDC and TOA, and has access to an extensive range of other world class leading manufacturers. Visit www.guardiantelecom.com for additional information on Explosion Proof, Hazardous Area, ATEX-IEC and General Area Loudspeakers & Ringers.

Accessories & Enclosures

Telephone Accessories & Enclosures		25
Page/Talk Accessories		26

Product Index

Part No., Description, Product Section & Product Data Sheet	27
---	----



Guardian Telecom

CONNECTED. PROTECTED.

Calgary, Alberta, Canada
Telephone: 403 258-3100 Facsimile: 403 253-4967
1-800-363-8010 (North America)
info@guardiantelecom.com

Canada USA Middle East

All content including the "Guardian Telecom" logo, images, graphics and descriptions are not to be used without the expressed written authorization of Guardian Telecom Inc., Calgary, Alberta, Canada. All other names and logos are the trademarks or registered trademarks of their respective companies.

Guardian pursues a policy of continuous improvement, therefore product, content and specifications are subject to change without notice. Design, specifications and release dates are subject to change without notice.