



G U A R D I A N T E L E C O M

Product and Services Guide

Hazardous Area Ringers & Loudspeakers

Loudspeakers and Ringers that are designed and manufactured to meet the demands of Hazardous Areas where ignitable concentrations of flammable gases, vapors or liquids are not likely to exist under normal operating conditions.

Guardian
Telecom

CONNECTED. PROTECTED.

SECTION

22



Visit industrial sites around the world and you can find telephones and communication systems designed, manufactured, distributed and commissioned by Guardian Telecom. From certified and ruggedized telephone and paging endpoints, to loudspeakers & ringers, cable, accessories, acoustic booths and much more. Our product line is extensive and our knowledge in-depth.

Guardian manufactures and assembles at our modern, ISO certified, CSA, UL and ATEX approved facility located east of the Canadian Rockies in Calgary, Alberta, Canada.

Working closely with our customers has always been a cornerstone in our work ethic. It keeps us up to date on their evolving needs and requirements as they operate in a demanding and uncompromising industrial world.

Guardian Telecom has completed its initial VoIP telephone product launch. As the IP world continues to evolve and grow, we will continue to invest both time and resources in design and testing to meet the stringent requirements that clients demand.

The in-house channel-partner sales and technical teams are here to work directly with you or through our network of distributors and representatives, locally, nationally and globally. Take advantage of their practical experience and product knowledge to make informed decisions based on your communication needs, environmental factors, regulatory requirements, budget considerations, growth and scheduling.

From individual telephone units to complete systems, our focus on customers' distinct needs is also addressed by customizing products whenever practical. From features to colors, finishes to labels, graphics, parts, enclosures and more.

Guardian can help guide you through the product selection process no matter how complex it is. We invite you to contact us to discuss your needs and see if our products & services will be the right fit.



CONNECTED. PROTECTED.

Toll free (North America) 1 800 363-8010 Tel 403 258-3100 Fax 403 253-4967 E-mail info@guardiantelecom.com

Guardian Telecom's Product and Services Guide Catalogue is a compilation of individual Category Sections. They include an in-depth selection of Product Data Sheets from our extensive product lines including Analog and VoIP Telephones, Page/Talk, Cable, Talk/Back, PA/GA equipment, Acoustic Booths, Loudspeakers & Ringers and Accessories at the date of publication.

Based on a policy of continuous improvement, Guardian is constantly evaluating and redesigning existing models, adding new features and introducing new products to the benefit of our customers. Additional information can be found on our website at www.guardiantelecom.com.

Hazardous Area Ringers & Loudspeakers



P-350WBX

22-1

- Federal Signal Corporation
- UL 1480 Listed
- Nema 4X rated
- Loud Ringer
- Input voltage 120VAC or 240VAC
- 110db at 1 meter



P-AM15XD2

22-3

- Federal Signal Corporation
- UL 1480 Listed
- Type 4X enclosure
- 15 Watts max power
- 8 ohm
- 110 db at 1 meter



P-AM300GCX

22-5

- Federal Signal Corporation
- UL 1480 Listed
- Type 4X enclosure
- 15 Watts max power
- 25/70 V Transformer coupled
- 110db at 1 meter



P-AM302GCX

22-5

- Federal Signal Corporation
- UL 1480 Listed
- Type 4X enclosure
- 30 Watts max power
- 25/70 V Transformer coupled
- 114db at 1 meter



P-DB4 Series

22-7

- Manufactured by MEDC
- NEMA 4 X rated
- 3 Versions - 8, 15 & 25 Watts of power
- UL 1480 Listed



Guardian Telecom manufactures, supplies and distributes a wide selection of **Explosion Proof, Hazardous Area, ATEX-IEC** and **General Area** Ringers and Loudspeakers from leading manufacturers around the world to meet the unique demands of Industrial Communication projects.

The Guardian Telecom website, www.guardiantelecom.com and catalogues present a selection of popular industrial grade Ringers or Loudspeakers and we have access to many more.

To discuss your present or future needs contact a Guardian Telecom representative at 403 258-300 (1-800-363-8010 in NA) or by e-mail at info@guardiantelecom.com.





Hazardous Area

Vibrating Horn

P-350WBX



P-350WBX

The P-350WBX (AC current) Vibratone® horn produces sound by the electro-mechanical vibration of a stainless steel diaphragm.

The horn mechanism with diaphragm is attached to the grille. The water- and dust-tight backbox is ideal for indoor or outdoor use.

The Model P-350WBX is available in 120 or 240VAC for 50/60Hz. Its sound output level is 100dBA nominal at ten feet (110dBA @ 1 meter).

This hazardous location horn accommodates surface, flush or semi-flush mounting on walls, panels, and in cabinets.

The P-350WBX features a die-cast zinc housing with a corrosion-resistant polyurethane finish. The rugged outer grille resists vandalism without reducing sound output. The P-350WBX is fused and utilizes a terminal block connection. The P-350WBX is approved for Class I, Division 2, Groups A, B, C and D; Class II, Division 2, Groups F and G; and Class III.

Capable of producing coded blasts or sustained tones, Federal Signal's Vibratone horns are excellent for general alarm, start/dismissal, coded paging and process control signaling in areas where their sound output exceeds ambient noise levels. Compact size and a variety of installation options make them ideal for institutional use.

Division 2 Vibrating Horn

- Rated for Class I, Division 2; Class II, Division 2; Class III
- Available in 120VAC and 240VAC
- Effective range of 200 feet
- For coded or sustained tones
- Produces 100dBA @ 10' (110dBA @ 1m)
- Type 4X enclosure
- UL and cUL Listed and CSA Certified
- Five Year Warranty

Models

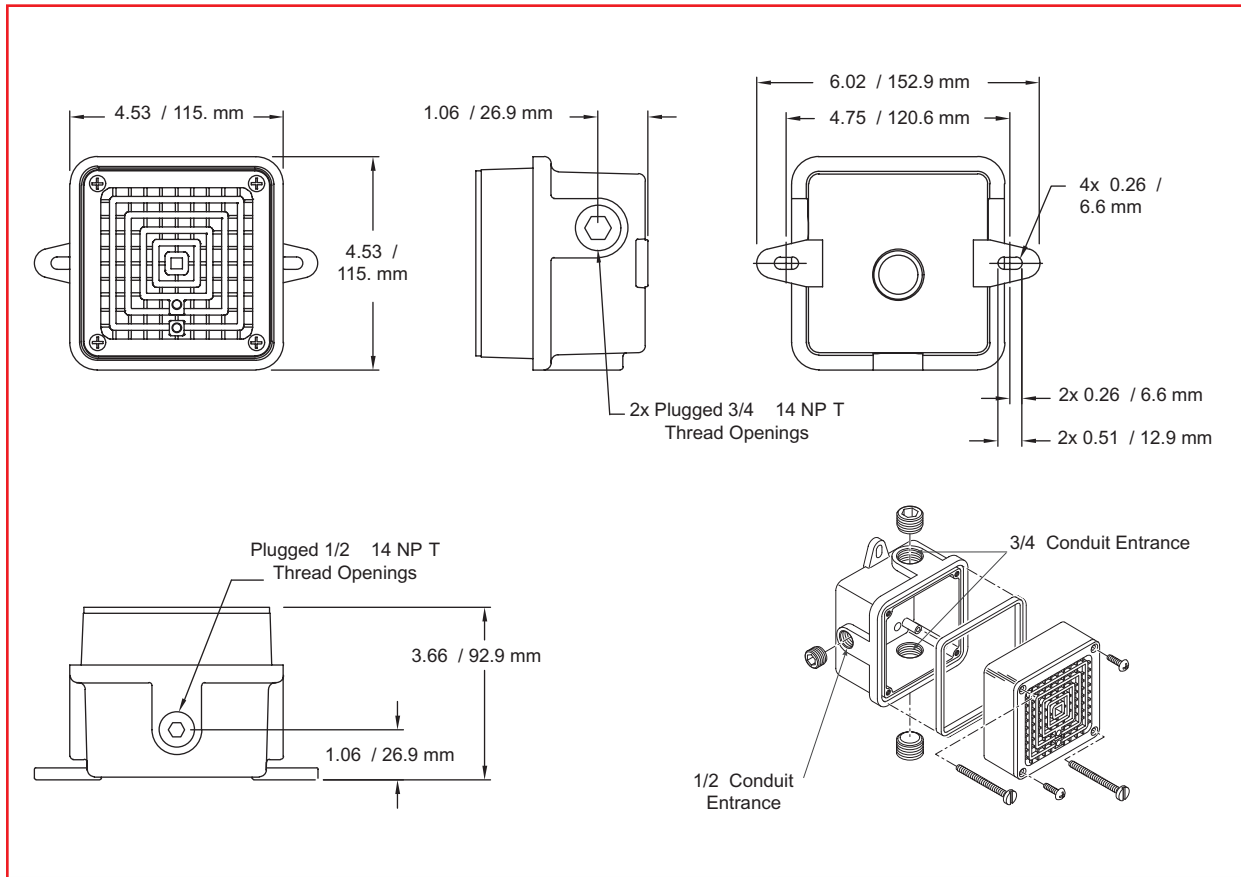
P-350WBX-120

Voltage	Operating Current	Decibels @	
		10'	1m
120VAC 50/60Hz	0.18 amps	100	110

P-350WBX-240

Voltage	Operating Current	Decibels @	
		10'	1m
240VAC 50/60Hz	0.09 amps	100	110





Specifications

Operating Temperature:	-65°F to 150°F (-54°C to 66°C)
Net Weight:	2.7 lbs (1.2 kg)
Shipping Weight:	2.8 lbs (1.2 kg)
Height:	4.53" (115.0 mm)
Depth:	3.66" (92.9 mm)

Replacement Parts

Description	Part Number
Volume Control Kit	K8435663B
Coil, 120VAC (350 Horn only)	KFC1516C

The Manufacturer reserves the right to alter specifications without notice.

Ordering

When ordering specify model and voltage.

Contact a Guardian Telecom Sales representative for additional information on ordering this product.

Phone: 403 258-3100 Toll Free (North America) : 1-800 363-8010
 Facsimile: 403 253-4967 info@guardiantelecom.com



Industrial Telephones • Equipment • Systems
www.guardiantelecom.com

**Hazardous Area****Public Address Speaker****P-AM15XD2****P-AM15XD2**

The Federal Signal Model P-AM15XD2 is an 8 ohm, re-entrant, Type 4X speaker for use in public address or paging applications. The P-AM15XD2 features a rugged cone and projector constructed of spun aluminum. The speaker wiring connections are enclosed in a dust-proof and moisture-proof, die-cast aluminum housing. All external surfaces are sealed with a gray powder coat paint.

The P-AM15XD2 is rated for 15 watt and is UL Listed for Class 1, Division 2, Groups A,B,C, and D; Class II, Division 2, Groups F & G; and Class III environments. The design and seal of the speaker assembly and housing have been tested and approved by UL for Type 4X requirements.

Four screws inserted through the metal tabs located at the sides of the housing provide a quick wall mount installation. Two 1/2-inch conduit openings in the base of the housing simplify wiring and accommodate inbound and outbound audio wiring. The unique shape of the speaker projector provides a 60° sound dispersion.

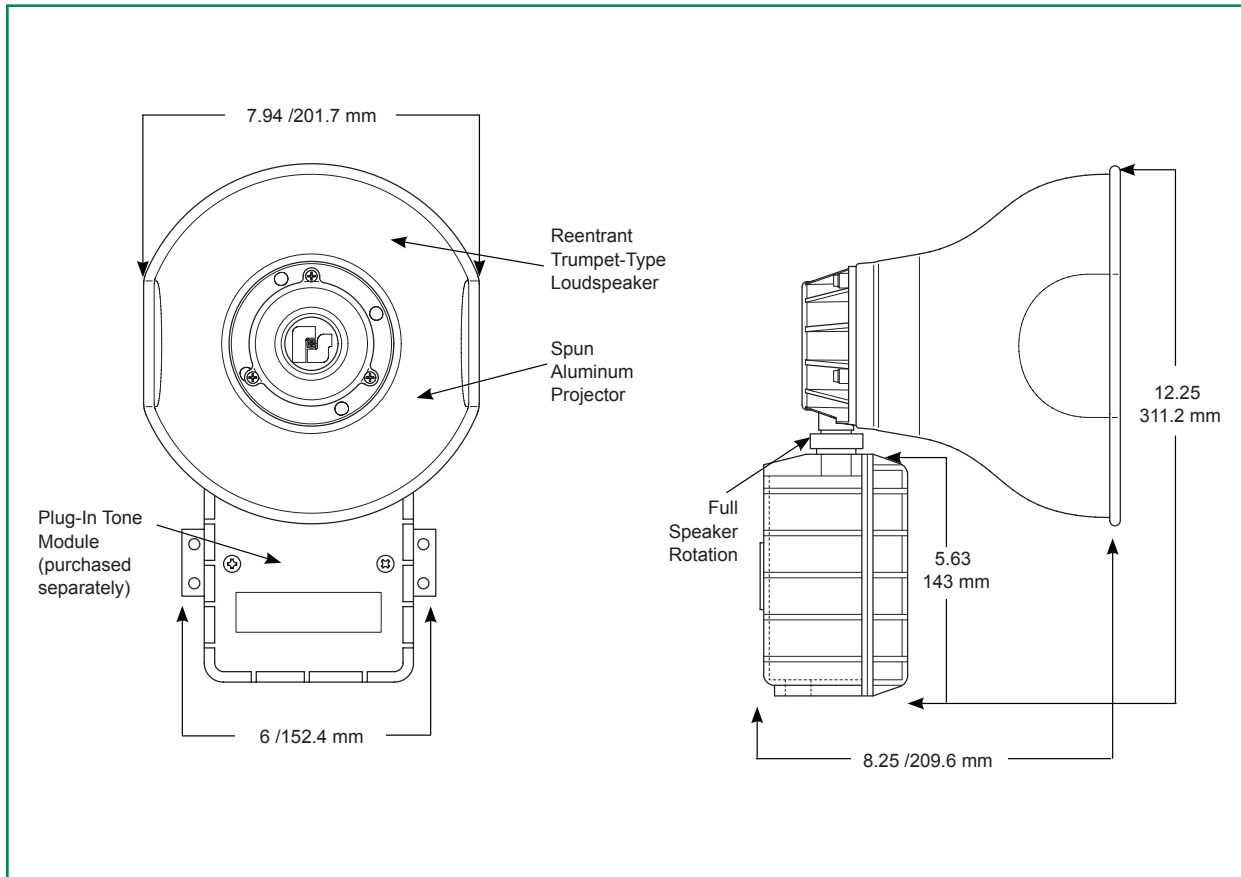
The projector is held in position with a Teflon coated lock ring that can be rotated 180° in order to obtain the desired sound distribution.

The P-AM15XD2 can be used with the AudioMaster® CTS series amplifiers and the AudioRouter™ to complete an industrial-grade public address system.

Division 2 Re-entrant Horn

- Rated for Class I, Division 2; Class II, Division 2; Class III
- Eight ohm
- 15 watt
- Re-entrant horn design
- Wall mount
- 1/2-inch conduit openings
- Type 4X enclosure
- UL 1480 Approved and cUL Listed
- Five Year Warranty

**FEDERAL SIGNAL**
Safety and Security Systems / Industrial



Specifications

Operating Temperature:	-40°F to 151°F (-40°C to 66°C)
Net Weight:	4.85 lbs (2.2 kg)
Shipping Weight:	6.0 lbs (2.72 kg)
Height:	12.25" (311.2 mm)
Depth:	8.25" (209.6 mm)

Power Handling	Frequency Response	Impedance	Beam Width	Decibels @ 10'	Decibels @ 1m
15 watt	400-4000Hz	8 ohm	60°	100	110

The Manufacturer reserves the right to alter specifications without notice.

Ordering

When ordering specify model number.

Contact a Guardian Telecom Sales representative for additional information on ordering this product.

Phone: 403 258-3100 Toll Free (North America) : 1-800 363-8010
 Facsimile: 403 253-4967 info@guardiantelecom.com



Industrial Telephones • Equipment • Systems
www.guardiantelecom.com



Hazardous Area

Public Address Speakers

P-AM300/302GCX



P-AM300GCX & P-AM302GCX

Federal Signal Models P-AM300GCX and P-AM302GCX are rugged, transformer coupled, re-entrant speakers for use in public address or paging applications. These speakers feature rugged cones and projectors constructed of spun aluminum. The wiring connections are enclosed in a dust- and moisture-proof, die-cast aluminum compartment. All external surfaces are finished with a gray powder coat paint.

Power handling for the P-AM300GCX is 15 watt and the P-AM302GCX is rated for 30 watt. There are transformer taps at 15, 9, 3 and 1.5 watt in the P-AM300GCX and 30, 15 and 9 watt in the P-AM302GCX.

Both speakers are designed for use in 25 or 70 Vrms distributed systems. Both models are UL and CUL Listed for Class 1, Division 2, Groups A, B, C, and D; Class II, Division 2, Groups F & G; and Class III environments. The design and seal of the speaker assembly and housing have been tested and approved by UL for Type 4X requirements.

Four screws inserted through the metal tabs located at the side of the housing make for a simple wall mount. The bottom of these speakers contains two 1/2-inch conduit openings in the base of the housing to accommodate inbound and outbound audio wiring. The unique shape of the speaker projectors provides an impressive 60° sound dispersion pattern.

The projectors are held in position with a Teflon coated lock ring that can be rotated 180° in order to obtain the desired sound distribution.

The P-AM300GCX and the P-AM302GCX can be used with the AudioMaster® CTS series amplifiers and the AudioRouter™ to complete an industrial grade public address system.

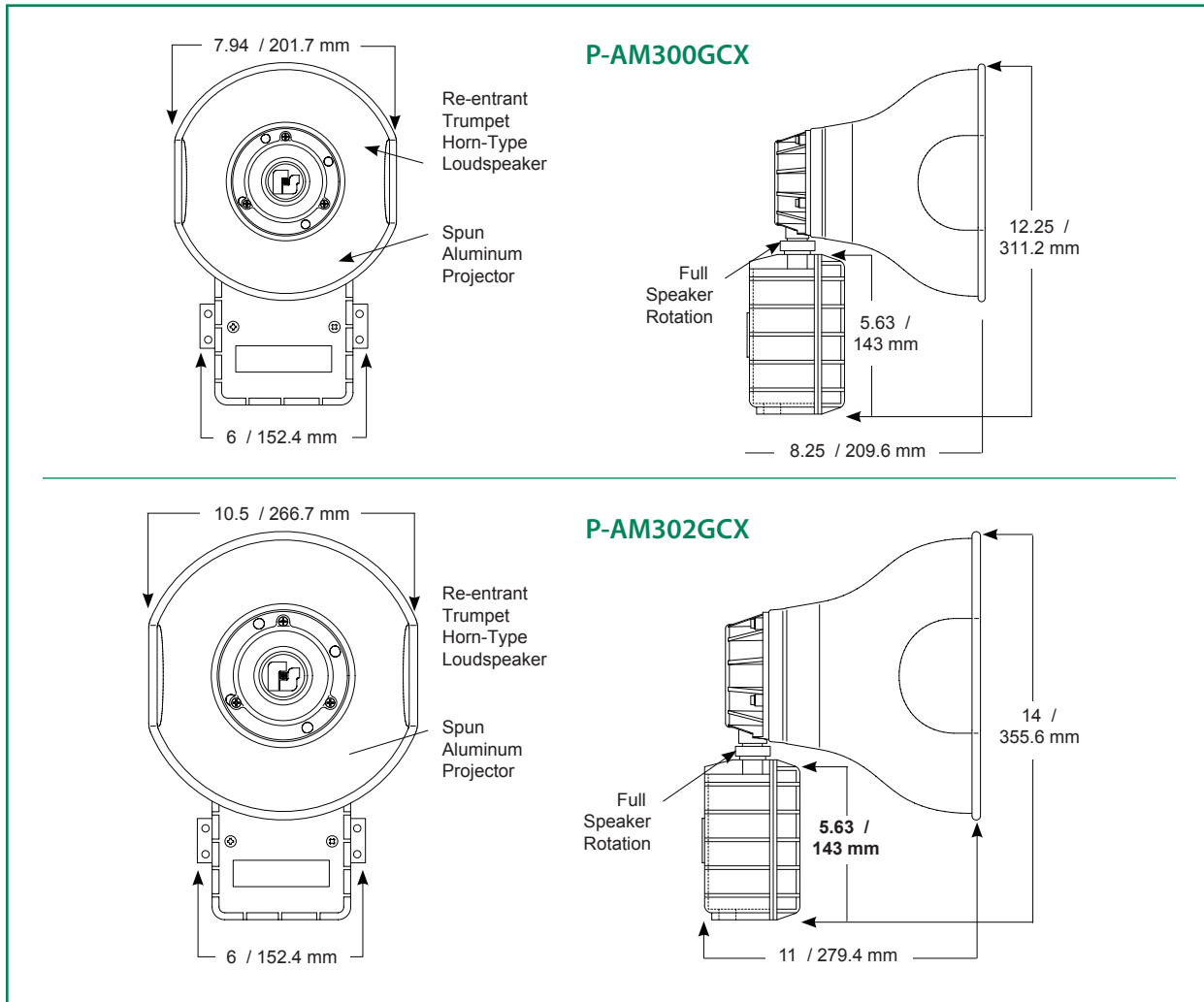
Division 2 Re-entrant Speakers

- Rated for Class I, Division 2; Class II, Division 2; Class III
- Transformer coupled
- 15 watt (P-AM300GCX)
- 30 watt (P-AM302GCX)
- 25 or 70 Vrms
- Re-entrant horn design
- Wall mount
- 1/2-inch conduit openings
- Type 4X enclosure
- External mounting tabs
- UL 1480 and CSFM Approved
- AM300GCX is UL Fire Listed
- Five Year Warranty

	P-AM300GCX	P-AM302GCX
Power Handling	15 watt	30 watt
Frequency Response	600-5000Hz	400-4000Hz
Transformer	25/70 Vrms	25/70 Vrms
Power Taps	15, 9, 3, 1.5	30, 15, 9
Beam Width	60°	60°
Decibels @		
10'	110	114
1 m	120	124



The Manufacturer reserves the right to alter specifications without notice.



Specifications

	P-AM300GCX	P-AM302GCX
Net Weight:	4.85 lbs (2.2 kg)	7.2 lbs (3.3 kg)
Shipping Weight:	6.0 lbs (2.72 kg)	8.1 lbs (3.67 kg)
Height:	12.25" (311.2 mm)	14.0" (355.6 mm)
Width:	7.94" (201.7 mm)	10.5" (266.7 mm)
Depth:	8.25" (209.6 mm)	11.0" (279.4 mm)

The Manufacturer reserves the right to alter specifications without notice.

Ordering

When ordering specify model number.

Contact a Guardian Telecom Sales representative for additional information on ordering this product.

Phone: 403 258-3100 Toll Free (North America) : 1-800 363-8010
 Facsimile: 403 253-4967 info@guardiantelecom.com



Industrial Telephones • Equipment • Systems
www.guardiantelecom.com

**ATEX IECEx****Hazardous Areas****Weatherproof Horn****P-DB4**

DB4 Range - Speakers - Up to 25 Watts

Introduction

This range of loudspeakers, intended for use in potentially explosive atmospheres, has a power rating of up to 25 watts and is suitable for use in all gas groups including hydrogen.

The flamepaths, flare and the body are manufactured completely from a UV stable glass reinforced polyester.

316 Stainless steel screws and sinter are incorporated thus ensuring a corrosion free product. A tapered flamepath is used to overcome the problems of assembly of parallel spigot flamepaths.

Features

- UL listed for USA and Canada
Class I, Div 2, Groups A, B, C & D.
Class II, Div II, Groups F & G.
Class I, Zone 1, AExd IIC T5.
- CSFM approved.
- ATEX approved.
- NEMA 4x and 6, IP66 & 67.
- Certified temperature: -67°F to +158°F.
-55°C to +70°C.
- GRP corrosion-free flamepaths.
- 109dBA at 25 watts at 10 feet.
- 8, 15 and 25 watt versions.
- Power tapings, via integral transformer.
- Ratcheted swivel bracket.
- Stainless steel sinter.
- Stainless steel mounting bracket.
- Tapered flamepath.
- 100V line and 8Ω versions available.

COOPER**MEDC**

Specifications

Certification:	UL Listed for USA and Canada – Class I, Div 2, Groups A-D. – Class II, Div II, Groups F & G – Class I, Zone 1, AExd IIC T5. UL Listing No. E203310. Zones 1 and 2. Not for use in atmospheres containing carbon disulphide.
Material:	Body & horn in antistatic, UV stable, glass reinforced plastic. Swivel bracket in stainless steel. Captive cover screws in stainless steel.
Finish:	Body & horn, natural black or painted to customer's specification.
Rated Power:	8, 15 or 25 watts RMS continuous (at 77°F).
Certified Temp:	–67°F to +158°F. –55°C to +70°C.
Weight:	11lb/5.0kg approx. dependent on model.
Ingress Protection:	NEMA 4x and 6, IP66 & 67.
Entries:	Up to 2 x 1/2" NPT.
Terminals:	8 x 14AWG Other terminal arrangements available on request.
Output:	97 dBA at 1 watt at 10 feet. 109 dBA at 25 watts at 10 feet. Measured in accordance with IEC 268.
Frequency Range:	400Hz to 8kHz.
Voice Coil Impedence:	8 ohms.
Mounting:	Bracket with ratchet facility.
Labels:	Duty and tag labels optional.

Transformer: Used to vary the rated power by selecting different tapplings (see table below).

Transformer Tappings	25W	15W	8W
1:2	25.0	15.0	8.0
1:2	12.5	7.5	4.0
3:4	6.0	5.0	2.0
1:3	4.0	4.0	1.5
2:4	2.0	2.0	0.7
1:4	1.0	0.8	0.4

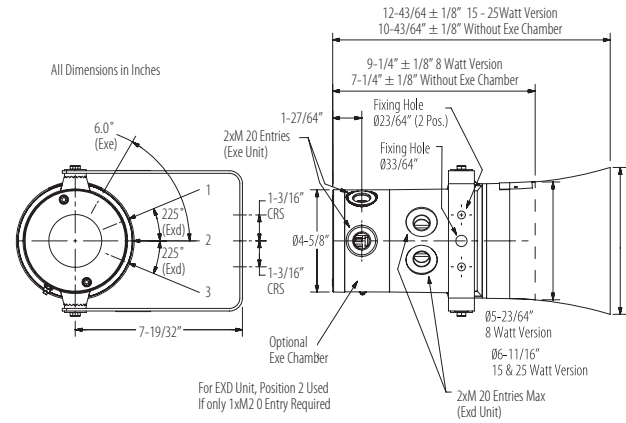
Transformer Tapping Options:

- i) Loop in/loop out (4 x 2) power tap change; 8 terminals.
- ii) 4 terminal tap change with 2 terminals (5 & 6) directly connected to driver (8 ohms).

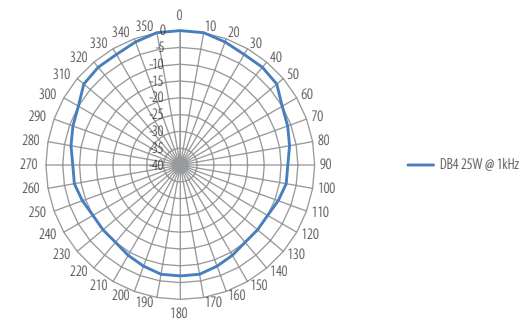
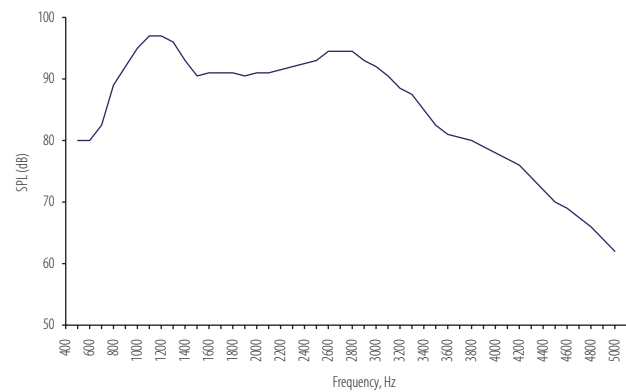
Ordering

Contact a Guardian Telecom Sales representative for information on ordering this product.

Phone: 403 258-3100 Toll Free (North America) : 1-800 363-8010
 Facsimile: 403 253-4967 info@guardiantelecom.com



Frequency Response @ 1W/10' for 25W Unit



All the above specifications, dimensions, weights and tolerances are nominal (typical) and Cooper MEDC reserve the right to vary all data without prior notice. No liability is accepted for any consequence of use.



Industrial Telephones • Equipment • Systems
www.guardiantelecom.com

Sections

Guardian Telecom's Product and Services Guide Catalogue is a compilation of individual Category Section Publications

Guardian

1

▶ About Guardian Telecom

- Building on a Legacy of Design and Service
- Communications: Easy, Reliable and Safe
- More Choices, Selections and Services
- Standard Features
- Options & Accessories
- Product and Project Consultation
- Commissioning Services
- Sound Studies
- Training
- Maintenance, Cleaning, Trouble Shooting & Refurbishment
- Custom Design
- Page/Talk, Telephone, PA/GA and Talk/Back Systems
- Standards and Classifications

▶ Knowledge Base





▶ Glossary

Products

Analog Telephones





Explosion Proof		2
ATEX-IEC		3
Hazardous Area		4
Outdoor Industrial		5
Indoor Industrial		6
Emergency/Help Point		7
Correctional		8

VoIP Telephones

Hazardous Area VoIP		9
Outdoor Industrial VoIP		10
Indoor Industrial VoIP		11
Emergency/Help Point VoIP		12

¹ Page/Party® is a registered trademark of GAI-Tronics Inc. Use does not imply endorsement.




Page/Talk

Explosion Proof		13
Stations		14
System Cable		15
System Components		16

Page Station Module Replacements

Page/Party® Module Replacements ¹		17
Page/Talk Module Replacements		17

Talk/Back

Explosion Proof Amplifier		18
Multi-Channel Amplifiers		18
System Components		19

Acoustic Booths

Aluminum & GRP		20
----------------	---	----

Loudspeakers/Ringers

Explosion Proof		21
Hazardous Area		22
ATEX-IEC		23
General Area		24



Guardian represents DNH, E2S, Federal Signal, MEDC and TOA, and has access to an extensive range of other world class leading manufacturers. Visit www.guardiantelecom.com for additional information on Explosion Proof, Hazardous Area, ATEX-IEC and General Area Loudspeakers & Ringers.

Accessories & Enclosures

Telephone Accessories & Enclosures		25
Page/Talk Accessories		26

Product Index

Part No., Description, Product Section & Product Data Sheet	27
---	----



Guardian Telecom

CONNECTED. PROTECTED.

Calgary, Alberta, Canada
Telephone: 403 258-3100 Facsimile: 403 253-4967
1-800-363-8010 (North America)
info@guardiantelecom.com

Canada USA Middle East

All content including the "Guardian Telecom" logo, images, graphics and descriptions are not to be used without the expressed written authorization of Guardian Telecom Inc., Calgary, Alberta, Canada. All other names and logos are the trademarks or registered trademarks of their respective companies.

Guardian pursues a policy of continuous improvement, therefore product, content and specifications are subject to change without notice. Design, specifications and release dates are subject to change without notice.